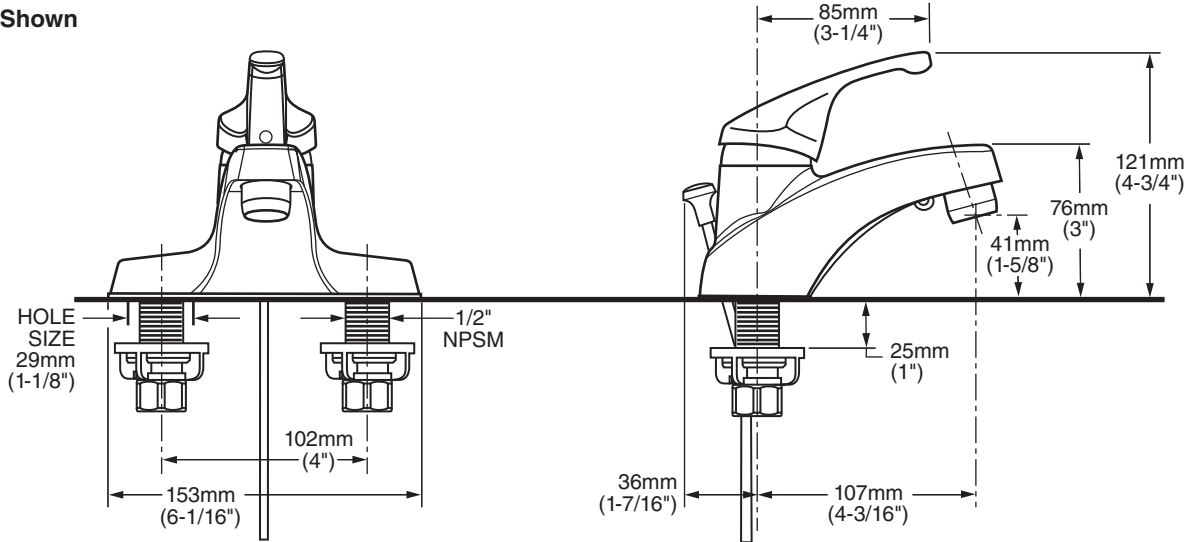


2175.200 Shown

**MODEL NUMBER:**

- 2175.200 Colony Single Control Centerset**  
Metal Lever Handle. 50/50 Pop-up drain.
- 2175.202 Colony Single Control Centerset**  
Metal Lever Handle. Metal Pop-up drain.
- 2175.205 Colony Single Control Centerset**  
Metal Lever Handle. Less drain. With pop-up hole, plug button and rod.



**GENERAL DESCRIPTION:**

Single control lavatory faucet on 4" centers. Washerless 40mm ceramic disc valve cartridge. Cast brass waterway with 1/2" male threaded brass inlet shanks. Metal body. Notched underbody to receive chain and stopper. 1.5 gpm/5.7L/min. maximum flow rate. Metal lever handle with large "comfort zone".

**PRODUCT FEATURES:**

**Cast Brass Waterways with "City Shanks":** Strong and durable. Integral tabs on casting provide a wobble-free installation.

**Ceramic Disc Valve Cartridge:** Assures a lifetime of drip-free performance.

**Lead Free:** Faucet contains ≤ 0.25% total lead content by weighted average.

**Longer Spout:** Provides extended reach into lavatory.

**Memory Position Valving:** Allows user to turn valve on and off at preferred temperature setting without readjusting handle position each time.

**Large "Comfort Zone":** Allows easy fine tuning of temperature.

**Simple Installation:** Fast and easy one person installation. Faucet drops in from top. Quick spin nuts secure faucet in place.

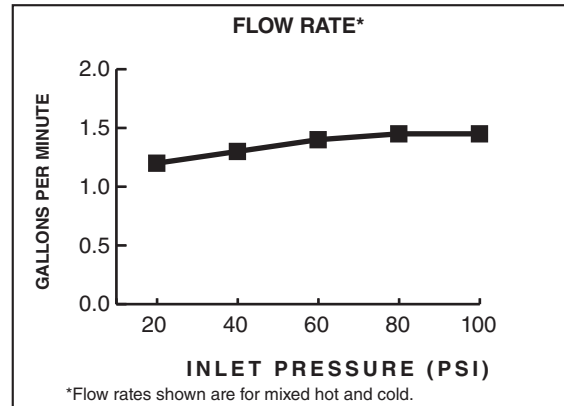
**SUGGESTED SPECIFICATION:**

Single control lavatory fitting shall feature cast brass waterways. Shall also feature washerless 40mm ceramic disc valve cartridge. Fitting shall be American Standard Model # 2175.\_\_\_\_.\_\_\_\_.

**CODES AND STANDARDS**

These products meet or exceed the following codes and standards:

- ANSI A117.1**
- ASME A112.18.1**
- NSF 61/Section 9 and Annex G**
- CSA B 125**



Product Number	Description	Finish
		Polished Chrome
		002
2175.200	Colony Single Control Centerset. 50/50 Pop-up drain.	
2175.202	Colony Single Control Centerset. Metal Pop-up drain.	
2175.205	Colony Single Control Centerset. Less drain. With pop-up hole and rod.	

Meets the American Disabilities Act Guidelines and **ANSI A117.1** Requirements for the physically challenged.

AERATOR MODIFICATIONS***	Parts Suffix**
0.5gpm (1.9Lpm) PCA* Spray	___F05
0.5gpm (1.9Lpm) Vandal Resistant PCA Spray	___V05
1.0gpm (3.8Lpm) PCA Aerator	___F10
1.0gpm (3.8Lpm) Vandal Resistant PCA Aerator	___V10
1.5gpm (5.7Lpm) Vandal Resistant PCA Aerator	___V15

\*PCA — Pressure Compensating  
 \*\*To modify a product, add suffix after the 4th digit (ex. 2064**F05**101.002)  
 \*\*\*Modified product models are **NOT** WaterSense certified.