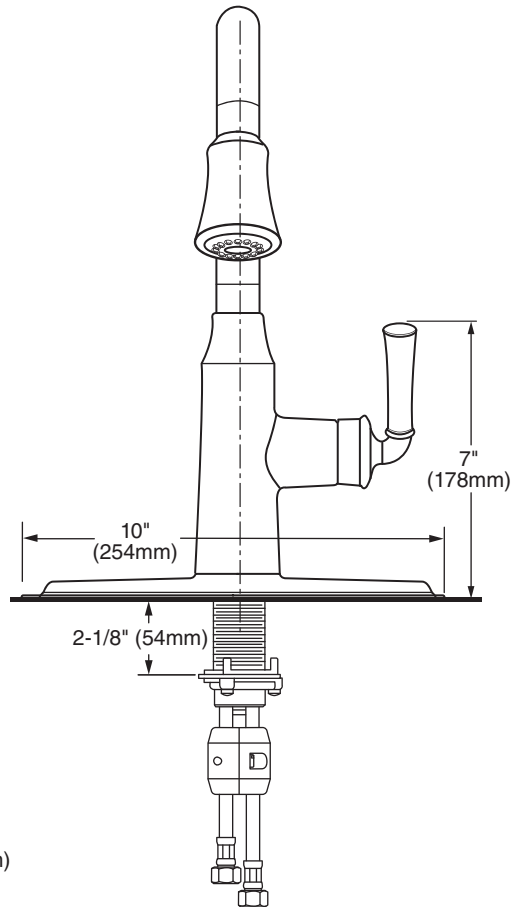
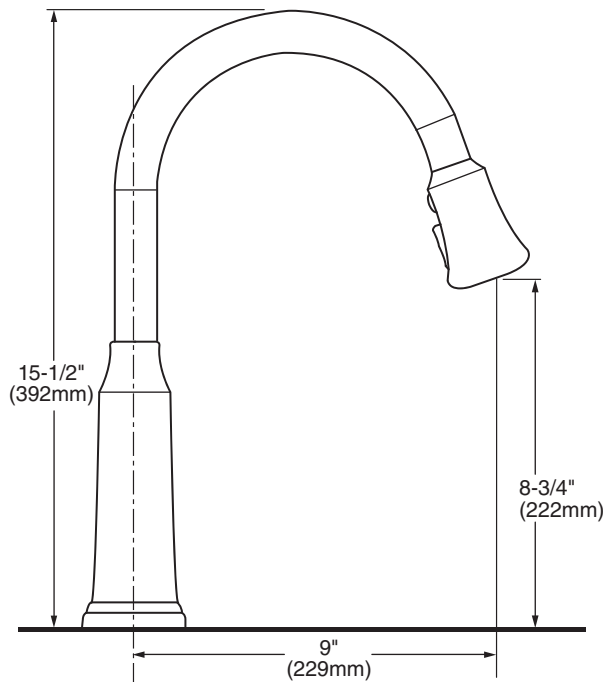




**MODEL NUMBER:**

□ 4285.300 Kitchen Faucet with Pull-Down Spray



**GENERAL DESCRIPTION:**

Zinc diecast body with brass swivel spout and metal lever handle. Pull-down spray with adjustable spray pattern. Washerless 35mm ceramic disc valve cartridge. Complete with two integral check valves. Braided flexible supply hoses with 3/8" compression connectors. 1.8 gpm/6.8Lmin. maximum flow rate.

**PRODUCT FEATURES:**

**Ceramic Disc Valve Cartridge:** Assures smooth, precise valve control and a lifetime of drip-free, maintenance-free performance.

**Memory Position Valving:** Allows user to turn valve on and off at preferred temperature setting without readjusting handle position each time.

**Lead Free:** Faucet contains  $\leq 0.25\%$  total lead content by weighted average.

**Pull-down Spray:** Adjustable spray pattern-stream to spray with pause feature.

**Integral Check Valves:** Prevents back flow.

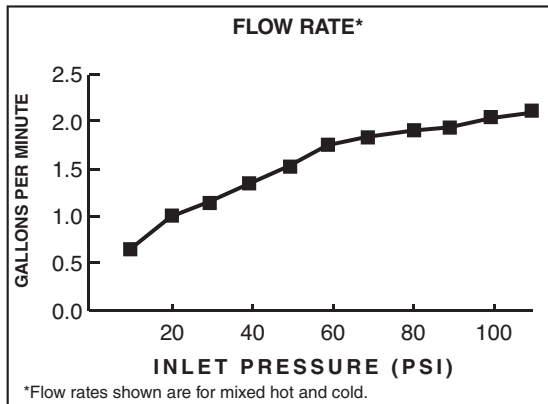
**SUGGESTED SPECIFICATION:**

Single control kitchen faucet shall feature a zinc diecast body with pull-down spray. Shall also feature washerless ceramic disc valve cartridge, flexible supply hoses and two integral check valves. Fitting shall be American Standard Model # 4285.300.\_\_\_\_.

**CODES AND STANDARDS**

These products meet or exceed the following codes and standards:

- ANSI A117.1
- ASME A112.18.1
- NSF 61/Section 9 & Annex G
- CSA B125



1.8gpm/6.8L/min. FLOW RATE

Product Number	Description	Finish Options		
		Polished Chrome	Stainless Steel (PVD)	Oil Rubbed Bronze
		002	075	224
4285.300	Single control pull-down kitchen faucet			

 Meets the American Disabilities Act Guidelines and **ANSI A117.1** Requirements for the physically challenged.