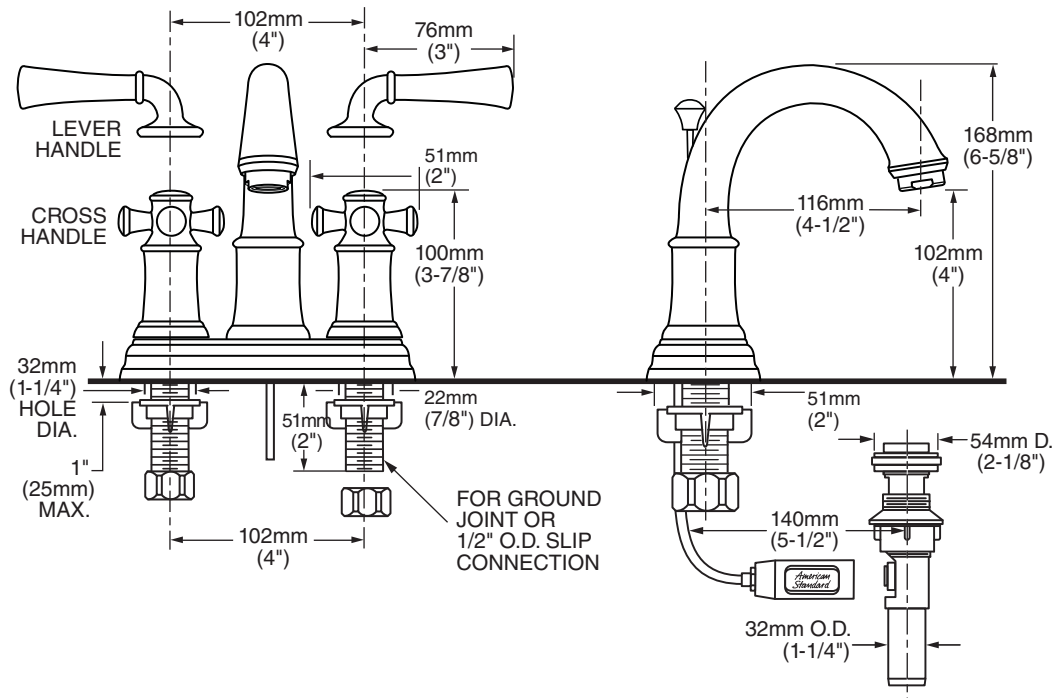


7420.201 Shown

MODEL NUMBER:

- 7420.201 Portsmouth 2 Handle Centerset**
 Metal Speed Connect® Pop-up drain.
 Metal Lever handles.
- 7420.221 Portsmouth 2 Handle Centerset**
 Metal Speed Connect Pop-up drain.
 Metal Cross handles.



GENERAL DESCRIPTION:

Durable cast brass crescent spout. 1/4 turn washerless ceramic disc valve cartridges. Choice of metal lever or metal cross handles. One-half inch brass male inlet shanks with brass supply nuts. 20 inch (500mm) long flexible stainless steel drain cable is pre-assembled to faucet body. Metal Speed Connect® drain body with 1-1/4 inch (32mm) tail piece. 1.5 gpm/5.7L/min. maximum flow rate.

PRODUCT FEATURES:

Brass Spout & Waterway: Durable - Easy to clean. Ideal for prolonged contact with water.

Ceramic Disc Valve Cartridges: Assures a lifetime of smooth handle operation and drip-free performance.

Lead Free: Faucet contains ≤0.25% total lead content by weighted average

Exclusive Speed Connect Metal Drain:

- Fewer Parts - installs in less time.
- No adjustments required - seals the first time, every time.
- Flexible stainless steel cable - installs effortlessly in tight spaces.

Choice of Finishes: Wide range of durable finishes.

SUGGESTED SPECIFICATION:

4" centerset lavatory faucet shall feature cast brass spout. Shall also feature 1/4 turn washerless ceramic disc valve cartridges. Shall also feature a metal drain body with stainless steel cable actuation. Fitting shall be American Standard Model # 7420.____.

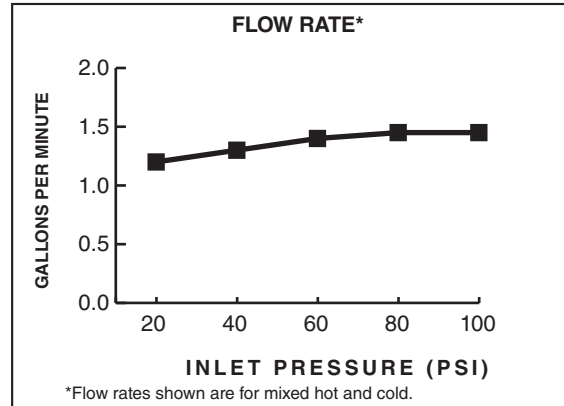


PORTSMOUTH®
TWO-HANDLE CENTERSET LAVATORY FAUCET
WITH BRASS CRESCENT SPOUT

CODES AND STANDARDS

These products meet or exceed the following codes and standards:

- ASME A112.18.1
- CSA B 125.1
- NSF 61/Section 9 and Annex G



	Product Number	Description	Finish Options		
			Polished Chrome	Oil Rubbed Bronze	PVD Satin Nickel
			002	224	295
	7420.201	Portsmouth 2 Handle Centerset with Metal Speed Connect® Pop-up drain. Metal Lever handles.			
	7420.221	Portsmouth 2 Handle Centerset with Metal Speed Connect Pop-up drain. Metal Cross handles.			

Meets the American Disabilities Act Guidelines and **ANSI A117.1** Requirements for the physically challenged.

AERATOR MODIFICATIONS***	Parts Suffix**
0.5gpm (1.9Lpm) PCA* Spray	___F05
0.5gpm (1.9Lpm) Vandal Resistant PCA Spray	___V05
1.0gpm (3.8Lpm) PCA Aerator	___F10
1.0gpm (3.8Lpm) Vandal Resistant PCA Aerator	___V10
1.5gpm (5.7Lpm) Vandal Resistant PCA Aerator	___V15

*PCA — Pressure Compensating
 To modify a product, add suffix after the 4th digit (ex. 2064F05**101.002)
 ***Modified product models are **NOT** WaterSense certified.