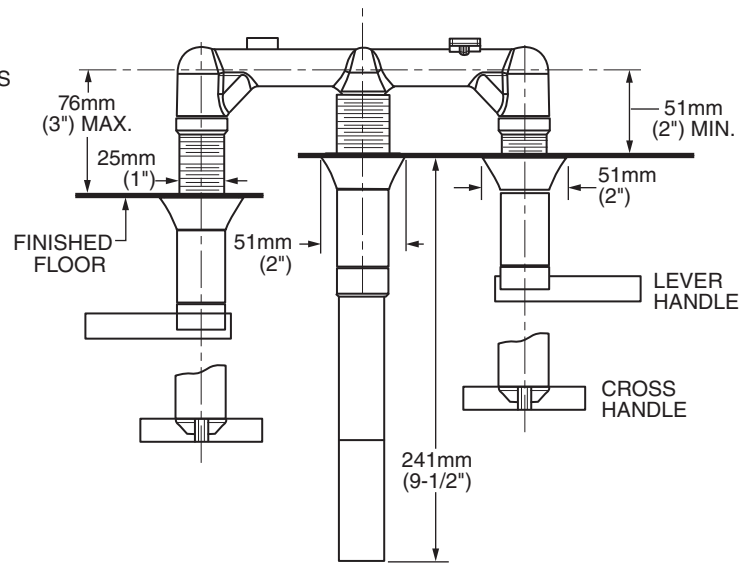
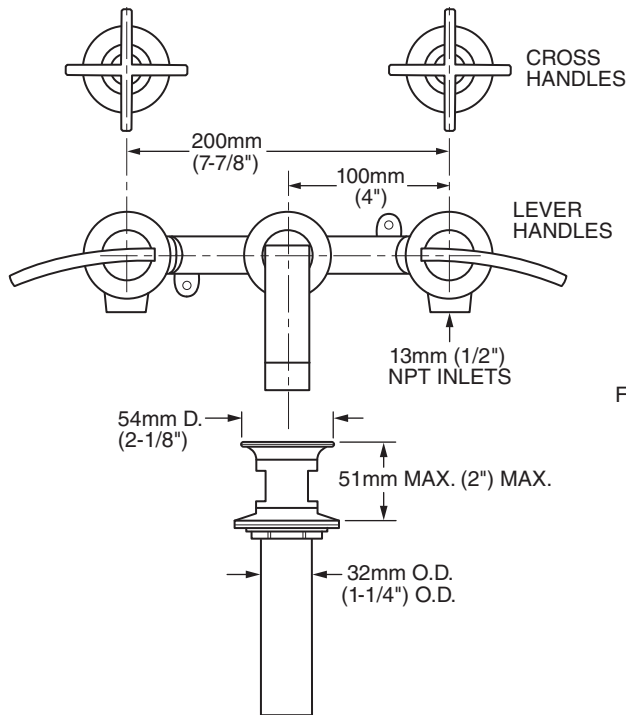




7430.451 Shown

MODEL NUMBER:

- ☐ 7430.451 Berwick 2 Handle Wall Mount
Grid Drain. Metal Level handles.
- ☐ 7430.471 Berwick 2 Handle Wall Mount
Grid Drain. Metal Cross handles.



GENERAL DESCRIPTION:

Cast brass valve body on 8" centers. 1/4 turn washerless ceramic disc valve cartridges. Brass spout. Choice of metal lever or metal cross handles. All brass grid drain body with 1-1/4" (32mm) tailpiece. 1.5 gpm/5.7L/min. maximum flow rate.

PRODUCT FEATURES:

- Brass Construction:** Durable. Easy to clean. Ideal for prolonged contact with water.
- Ceramic Disc Valve Cartridges:** Assures a lifetime of smooth handle operation and drip-free performance.
- Lead Free:** Faucet contains ≤ 0.25% total lead content by weighted average.
- Choice of Finishes:** Available in Polished Chrome or Satin Nickel (PVD).

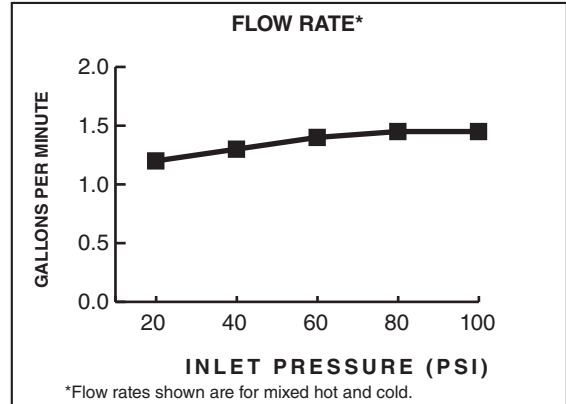
SUGGESTED SPECIFICATION:

Two handle in-wall lavatory faucet shall feature cast brass valve body. Shall also feature 1/4 turn washerless ceramic disc valve cartridges. Fitting shall be American Standard Model #7430.____.

CODES AND STANDARDS


These products meet or exceed the following codes and standards:

- ASME A112.18.1**
- NSF 61/Section 9 and Annex G**
- CSA B125.1**



Product Number	Description	Finish Options	
		Polished Chrome	PVD Satin Nickel
		002	295
7430.451	Berwick 2 handle wall mount with grid drain. Metal level handles.		
7430.471	Berwick 2 handle wall mount with grid drain. Metal cross handles.		



 Meets the American Disabilities Act Guidelines and **ANSI A117.1** Requirements for the physically challenged.