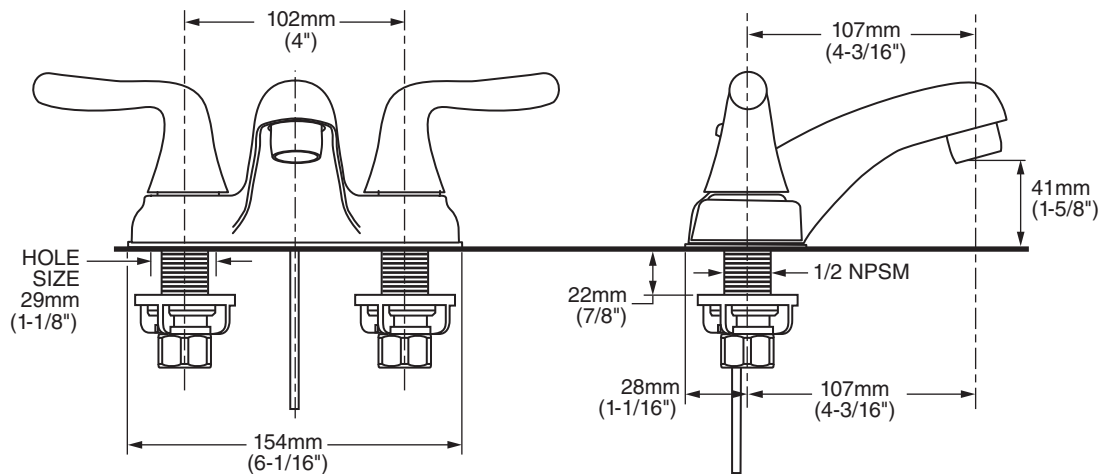




2275.500 Shown

MODEL NUMBER:

- ☐ **2275.500 Centerset Lavatory Faucet**
Lever Handles. 50/50 Pop-up drain.
- ☐ **2275.505 Centerset Lavatory Faucet**
Lever Handles. Less drain. With pop-up hole, plug button and rod.



GENERAL DESCRIPTION:

Centerset lavatory faucet on 4" centers. 1/4 turn washerless ceramic disc valve cartridges. Durable cast brass waterways with one-half inch male inlet shanks. Metal body. Color matched underbody. Lever handles. 1.5 gpm/5.7L/min. maximum flow rate.

PRODUCT FEATURES:

Cast Brass Waterways with "City Shanks": Strong and durable. Integral tabs on casting provide a wobble-free installation.

Ceramic Disc Valve Cartridges: Assures a lifetime of drip-free performance.

Lead Free: Faucet contains ≤ 0.25% total lead content by weighted average.

Longer Spout: Provides extended reach into lavatory.

Simple Installation: Fast and easy one person installation. Faucet drops in from top. Quick spin nuts secure faucet in place.

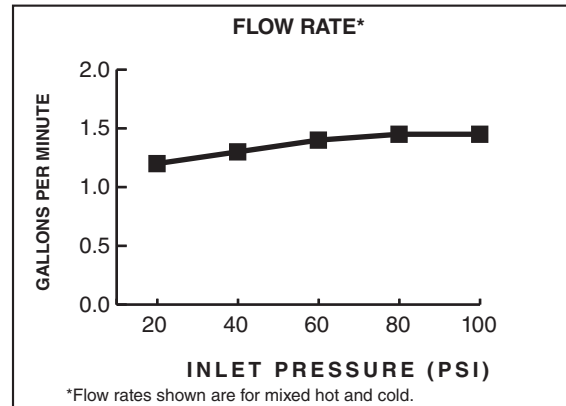
SUGGESTED SPECIFICATION:

Two-handle 4" centerset lavatory faucet shall feature a cast brass waterway. Shall also feature 1/4 turn washerless ceramic disc valve cartridges. Shall also feature a metal drain body with stainless steel cable actuation. Fitting shall be American Standard Model # 2275.____.____.

CODES AND STANDARDS

These products meet or exceed the following codes and standards:

- ANSI A117.1**
- ASME A112.18.1**
- CSA B125**
- NSF 61/Section 9 and Annex G**



Product Number	Description		Finish Options	
			Polished Chrome	PVD Satin Nickel
			002	295
2275.500	Centerset lavatory. Lever Handles. 50/50 Pop-up drain.			
2275.505	Centerset lavatory. Lever Handles. Less drain. With pop-up hole and rod.			

Meets the American Disabilities Act Guidelines and **ANSI A117.1** Requirements for the physically challenged.

AERATOR MODIFICATIONS***	Parts Suffix**
0.5gpm (1.9Lpm) PCA* Spray	___F05
0.5gpm (1.9Lpm) Vandal Resistant PCA Spray	___V05
1.0gpm (3.8Lpm) PCA Aerator	___F10
1.0gpm (3.8Lpm) Vandal Resistant PCA Aerator	___V10
1.5gpm (5.7Lpm) Vandal Resistant PCA Aerator	___V15

AVAILABLE MODIFICATIONS***	Part Suffix**
Indexed Installed (Red & Blue) Handles	___RB

*PCA — Pressure Compensating
 To modify a product, add suffix after the 4th digit (ex. 2064F05**101.002)
 ***Modified product models are **NOT** WaterSense certified.