



3375.502 Shown

MODEL NUMBER:

3375.502 Bath/Shower Fitting
Slip-on tub spout. Easy Clean showerhead.
Lever handles.



GENERAL DESCRIPTION:

Cast brass valve body on 8 inch centers. 1/4 turn washerless ceramic disc valve cartridges - reversible for use with either lever or knob handles. 1/2" N.P.T. male threaded / 1/2" sweat inlets and 1/2" N.P.T. outlets. Easy clean showerhead with 2.5 gpm/9.5L/min. flow restrictor.

PRODUCT FEATURES:

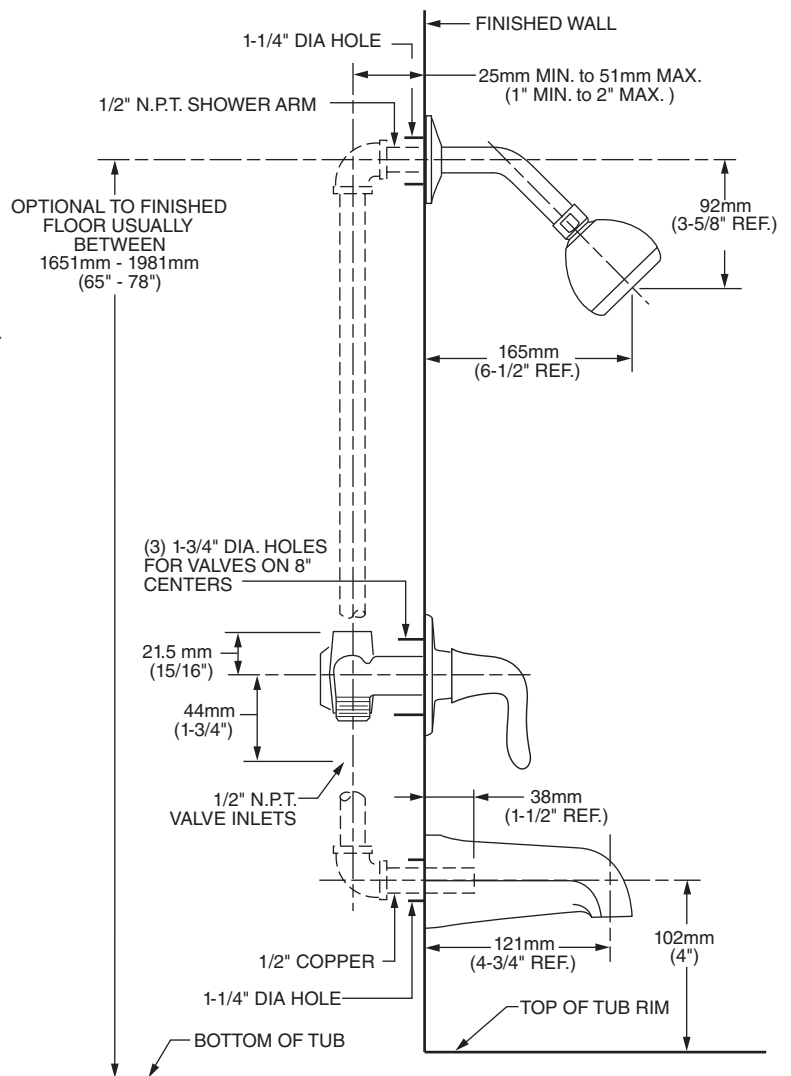
Brass Construction: Durable - Ideal for prolonged contact with water. Provides the finest surface for application of all finishes.

Ceramic Disc Valve Cartridges: Assures a lifetime of smooth handle operation and drip-free performance.

Exclusive Handle Alignment System: Allows fine tuning of handle position.

Choice of Finishes: Wide range of durable finishes.

Exclusive Plaster Guard: Plaster guard can be used to test for leaks prior to handle installation.



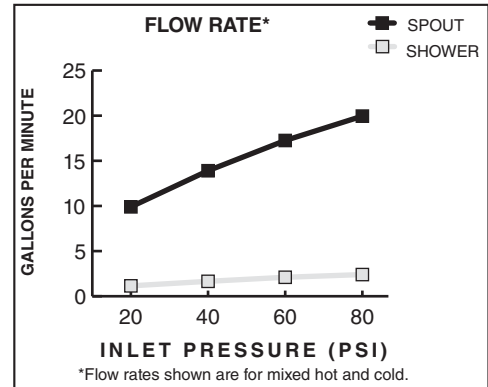
SUGGESTED SPECIFICATION:



Three handle bath/shower fitting shall feature cast brass construction. Shall also feature 1/4 turn washerless ceramic disc valve cartridges that are reversible for use with lever or knob handles. Fitting shall be American Standard Model # 3375.____.


CODES AND STANDARDS

These products meet or exceed the following codes and standards:

**ASME A112.18.1
CSA B 125**



	Product Number	Description	Finish
			Polished Chrome
			002
 	3375.502	Three handle Bath/Shower. Slip-on tub spout. Easy Clean Showerhead. Lever handles.	

 Meets the American Disabilities Act Guidelines and **ANSI A117.1** Requirements for the physically challenged.