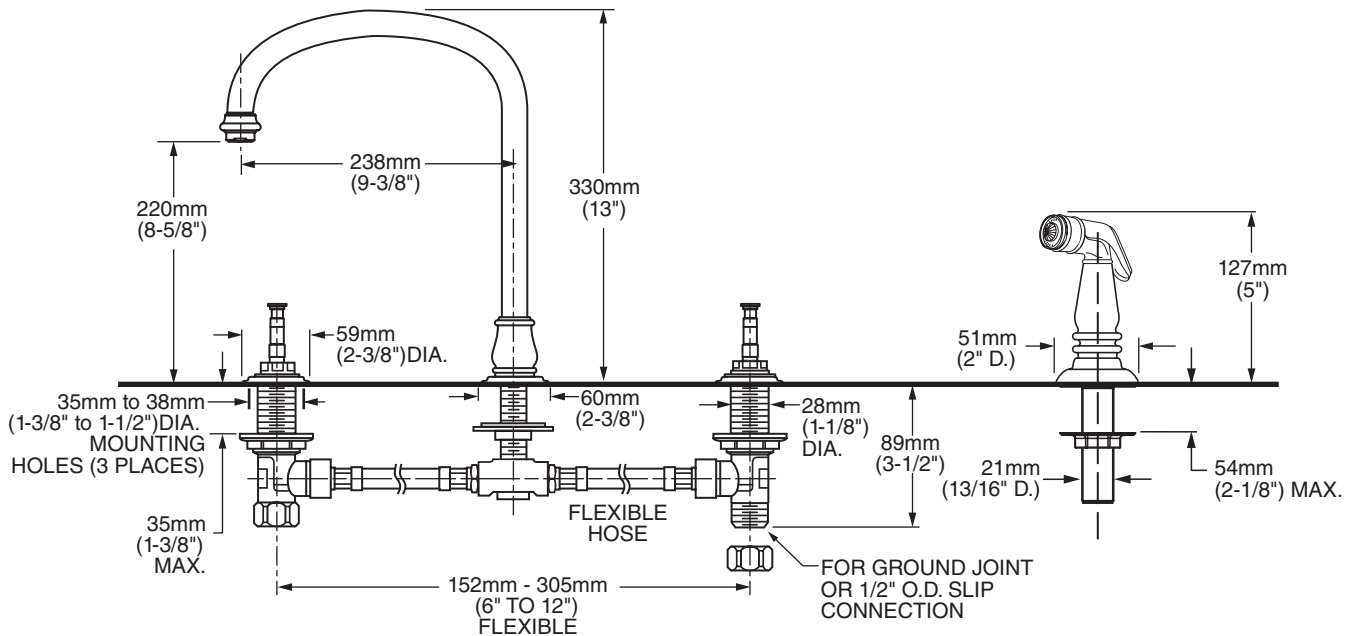




MODEL NUMBER:

4751.732 Bottom-Mount Kitchen Faucet
 Color-matched Handspray. Metal lever handles.



GENERAL DESCRIPTION:

Durable brass construction. 1/4 turn washerless ceramic disc valve cartridges. Brass 22mm (7/8") diameter swivel spout. One-half inch male inlet shanks with brass coupling nuts. 2.2 gpm/8.3 L/min. maximum flow rate. Color-matched hand spray. Cap provided for less spray applications.

PRODUCT FEATURES:

Ceramic Disc Valve Cartridges: Assures a lifetime of drip-free performance.

Brass Construction and Cast Brass Waterway: Durable - Excellent in high use applications. Ideal for prolonged contact with water.

Larger Spout: Increased spout height, reach and diameter.

Lead Free: Faucet contains ≤ 0.25% total lead content by weighted average.

Choice of Finishes: Available in a wide range of durable finishes.

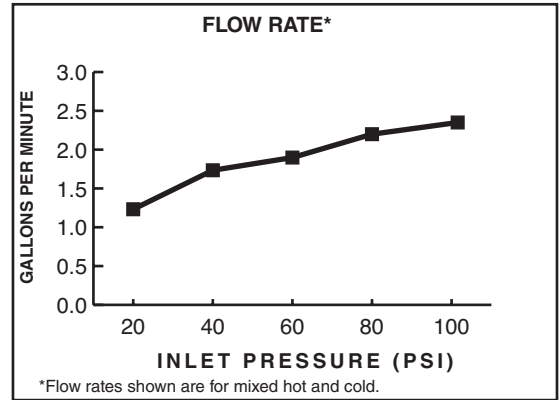
SUGGESTED SPECIFICATION:

Two handle bottom-mount kitchen faucet shall feature brass construction with all brass inlet shanks and coupling nuts. Brass swivel spout. Shall also feature 1/4 turn washerless ceramic disc valve cartridges. Fitting shall be American Standard Model # 4751.732.____.

CODES AND STANDARDS


These products meet or exceed the following codes and standards:

- ASME A112.18.1**
- CSA B 125**
- NSF 61/Section 9 & Annex G**



Product Number	Description	Finish Options			
		Polished Chrome	PVD Polished Brass	Oil Rubbed Bronze	PVD Satin Nickel
4751.732	Kitchen faucet. Color-matched Handspray. Metal lever handles.	002	099	224	295



 Meets the American Disabilities Act Guidelines and **ANSI A117.1** Requirements for the physically challenged.