

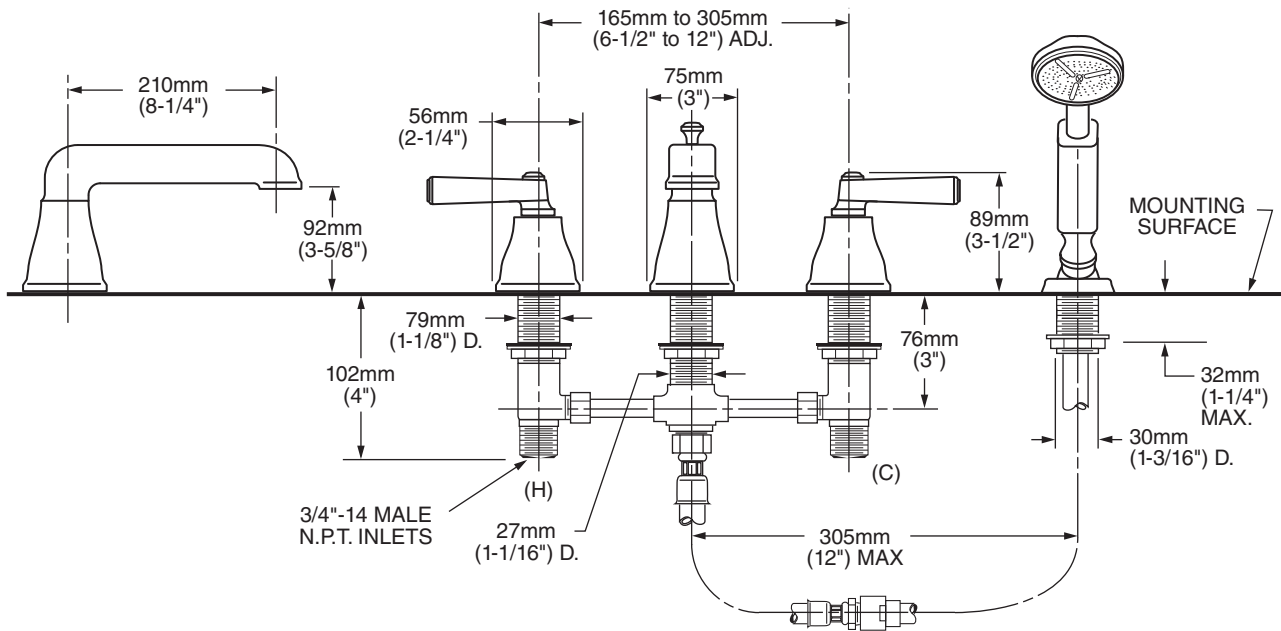
2555.901 Shown

MODEL NUMBER:

- ❑ **2555.901 Deck-Mount Tub Filler**
Personal shower. Metal Lever handles.
- ❑ **2555.900 Deck-Mount Tub Filler**
Less personal shower. Metal Lever handles.

AVAILABLE ACCESSORY:

- ❑ **8888.900 Deck Mount Tub Filler Flex Hose Kit**



GENERAL DESCRIPTION:

Durable cast brass spout with built-in diverter (on 2555.901). Rigid brass and copper waterway below deck provided for 12" installations (can be cut for 8" installations). Brass valve bodies with 3/4" NPT inlets. 1/4 turn washerless ceramic disc valve cartridges. Personal shower features a 6-1/2' long hose (1-1/2' heavy duty hose and 5' decorative hose.) 2.5 gpm/9.5L/min. maximum flow rate.

PRODUCT FEATURES:

Brass Construction: Durable. Ideal for prolonged contact with water. Provides the finest surface for application of all finishes.

Ceramic Disc Valve Cartridges: Assures a lifetime of drip-free performance.

Choice of Finishes: Wide range of durable finishes.

SUGGESTED SPECIFICATION:

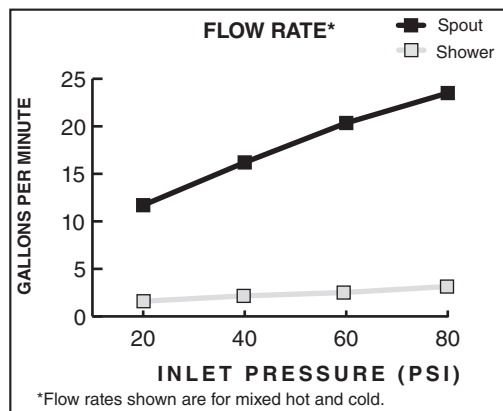
Two handle deck-mount tub filler shall feature cast brass construction with brass and copper waterway. Shall also feature 1/4 turn washerless ceramic disc valve cartridges. Fitting shall be American Standard Model #2555.90_.



CODES AND STANDARDS


These products meet or exceed the following codes and standards:

**ASME A112.18.1
CSA B125**

Check local plumbing codes. Some installations may require a vacuum breaker.



Product Number	Description	Finish Options	
		Polished Chrome	PVD Satin Nickel
2555.901	Deck-Mount Tub Filler. Personal shower. Metal Lever handles. 		
2555.900	Deck-Mount Tub Filler. Less personal shower. Metal Lever handles. 		
8888.900	Deck-Mount Tub Filler Flex Hose Kit	N/A	N/A

 Meets the American Disabilities Act Guidelines and **ANSI A117.1** Requirements for the physically challenged.