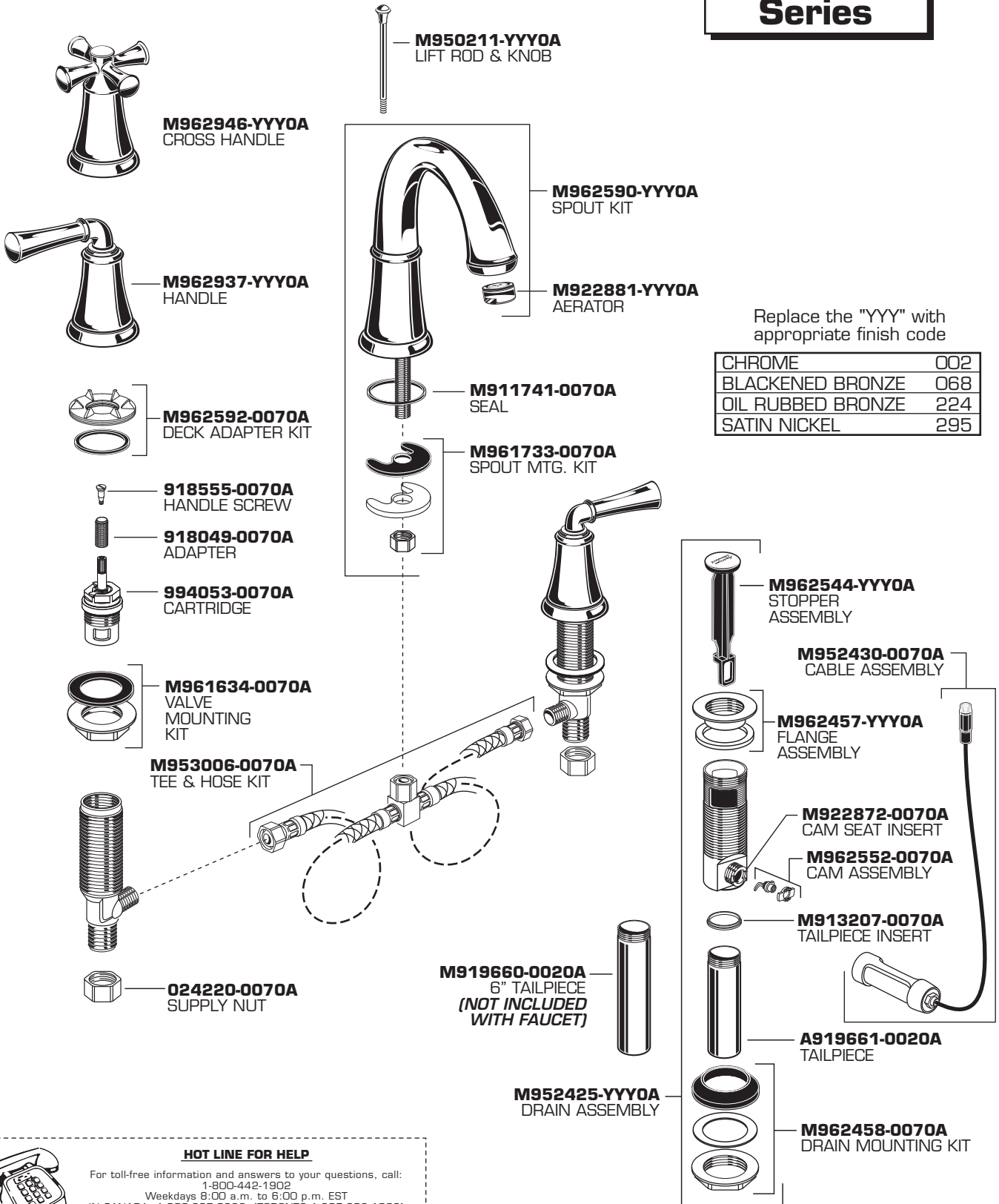


American Standard

PORTSMOUTH®
Spread Lavatory Faucet
with Speed Connect™ Drain

MODEL NUMBER

7420.801
7420.821
Series



Replace the "YYY" with appropriate finish code

CHROME	002
BLACKENED BRONZE	068
OIL RUBBED BRONZE	224
SATIN NICKEL	295

HOT LINE FOR HELP

For toll-free information and answers to your questions, call:
 1-800-442-1902
 Weekdays 8:00 a.m. to 6:00 p.m. EST
 IN CANADA 1-800-387-0369 (TORONTO 1-905-306-1093)
 Weekdays 8:00 a.m. to 7:00 p.m. EST
 IN MEXICO 01-800-839-1200



Product names listed herein are trademarks of American Standard Inc.
 © AS America, Inc. 2010

M965015 REV.1.9

American Standard

PORTSMOUTH®
Spread Lavatory Faucet
with Speed Connect™ Drain

MODEL NUMBER

7415.801
7415.821
Series



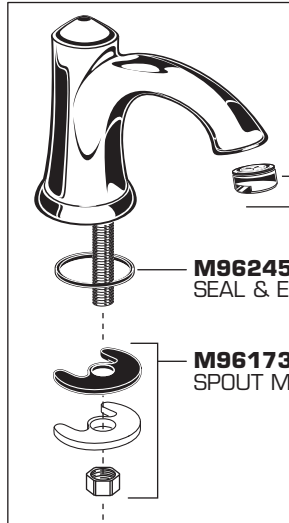
M962946-YYY0A
CROSS HANDLE



M962455-YYY0A
LIFT ROD & KNOB



M962947-YYY0A
HANDLE



M962052-YYY0A
SPOUT KIT

M922881-YYY0A
AERATOR

M962453-YYY0A
SEAL & ESCUTCHEON

M961733-0070A
SPOUT MTG. KIT

Replace the "YYY" with appropriate finish code

CHROME	002
BLACKENED BRONZE	068
OIL RUBBED BRONZE	224
SATIN NICKEL	295



M962592-0070A
DECK ADAPTER KIT



918555-0070A
HANDLE SCREW



918049-0070A
ADAPTER

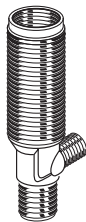


994053-0070A
CARTRIDGE

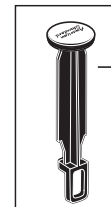
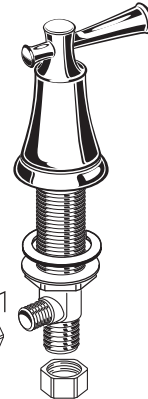
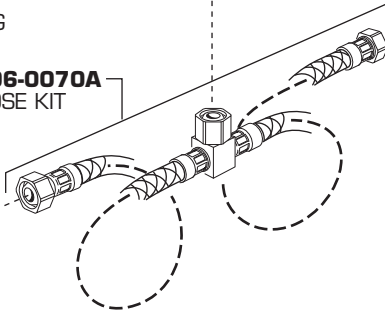


M961634-0070A
VALVE MOUNTING KIT

M953006-0070A
TEE & HOSE KIT



024220-0070A
SUPPLY NUT



M962544-YYY0A
STOPPER ASSEMBLY

M964890-0070A
CABLE ASSEMBLY



M962457-YYY0A
FLANGE ASSEMBLY



M922872-0070A
CAM SEAT INSERT



M962552-0070A
CAM ASSEMBLY



M913207-0070A
TAILPIECE INSERT



A919661-0020A
TAILPIECE

M919660-0020A
6" TAILPIECE
(NOT INCLUDED WITH FAUCET)

M952425-YYY0A
DRAIN ASSEMBLY

M962458-0070A
DRAIN MOUNTING KIT

HOT LINE FOR HELP

For toll-free information and answers to your questions, call:
 1-800-442-1902
 Weekdays 8:00 a.m. to 6:00 p.m. EST
 IN CANADA 1-800-387-0369 (TORONTO 1-905-306-1093)
 Weekdays 8:00 a.m. to 7:00 p.m. EST
 IN MEXICO 01-800-839-1200



Product names listed herein are trademarks of American Standard Inc.
 © AS America, Inc. 2010

M965015 REV.1.9