

American Standard

Installation Instructions

4751.732

HAMPTON KITCHEN FAUCETS

*Thank you for selecting American-Standard...
the benchmark of fine quality for over 100 years.*

*To ensure that your installation proceeds smoothly...
please read these instructions carefully before you begin.*



Certified to comply with ASME A112.18.1M
M968721 REV. 1.3

RECOMMENDED TOOLS



Channel Locks



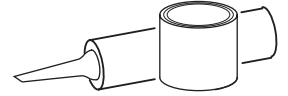
Flat Blade Screwdriver



Phillips Screwdriver



Adjustable Wrench

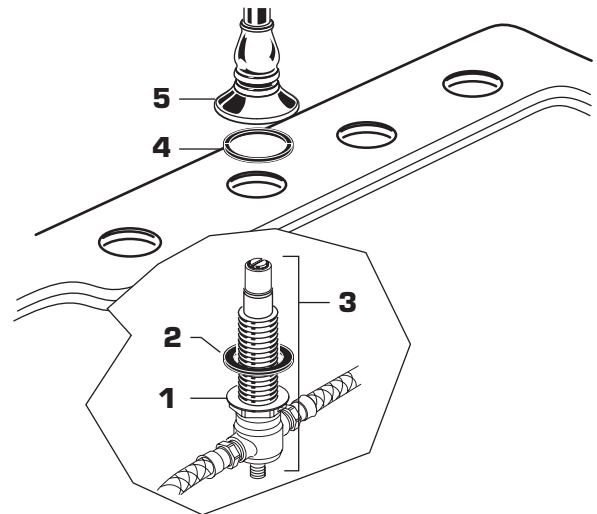


Plumbers' Putty or Caulking

1 INSTALL FAUCET

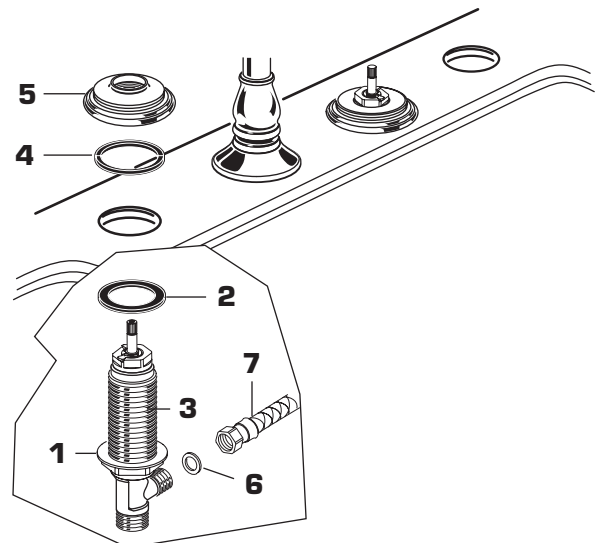
CAUTION Turn off hot and cold water
supplies before beginning.

- Install LOCK NUT (1) and RUBBER WASHER (2) onto SPOUT BODY (3). Insert SPOUT BODY (1) through hole from underside of SINK.
- Place RUBBER RING (4) into SPOUT ESCUTCHEON (5) and screw ESCUTCHEON (5) onto SPOUT BODY (3) until snug against internal stop.
- From under sink tighten LOCK NUT (1) to secure SPOUT.



2 INSTALL VALVE BODIES

- Install LOCK NUT (1) and RUBBER WASHER (2) onto VALVE BODIES (3). Insert VALVE BODY (3) through hole from underside of SINK.
- Place RUBBER RING (4) into ESCUTCHEON (5) and screw ESCUTCHEON (5) onto VALVE BODY (3) until snug against internal stop.
- From under sink tighten LOCK NUT (1) to secure VALVE BODY (3).
- Insert SEAL WASHERS (6) into SPOUT BODY SUPPLY HOSES (7) and tighten connection to VALVE BODIES (3).



3

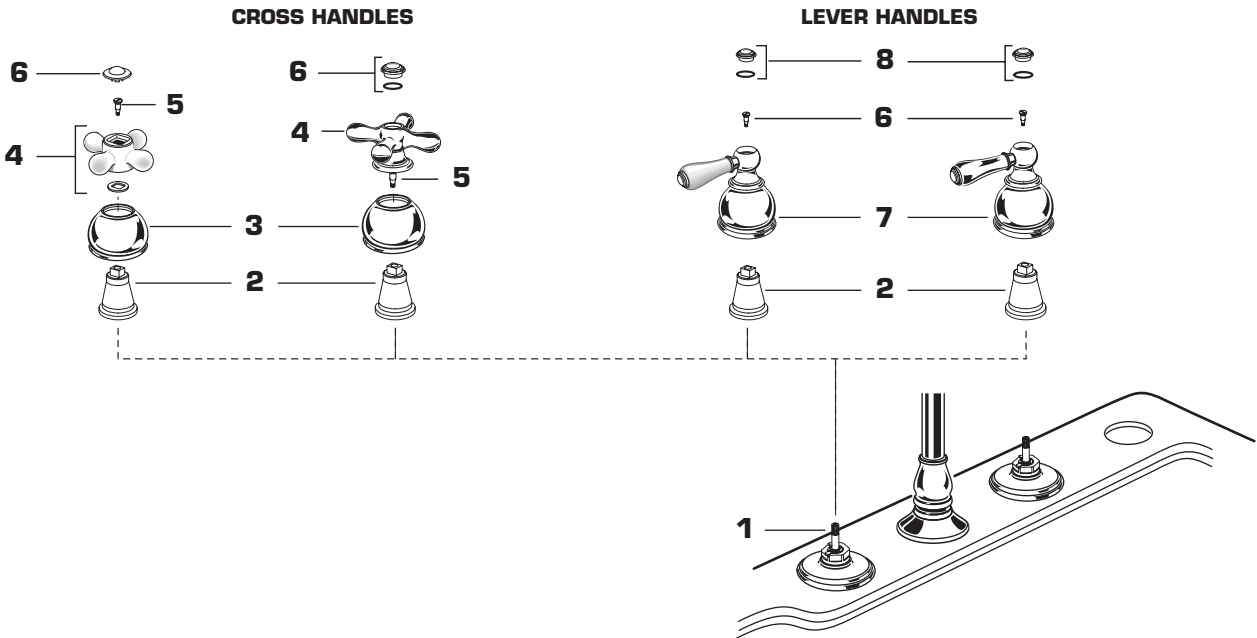
INSTALL HANDLES

CROSS HANDLE

- Push ADAPTER (2) into HANDLE BASE (3) in a way that the male square on the ADAPTER (2) fits in the female 8 point star of the HANDLE (4).
- Turn HANDLE STEM (1) to the off position. Push HANDLE BASE (3), ADAPTER (2) and HANDLE (4) onto VALVE STEM (1).
- Tighten HANDLE SCREW (5).
- Push INDEX CAP (6) in top of HANDLE (4).

LEVER HANDLE

- Push ADAPTER (2) into LEVER HANDLE BASE (7) in a way that the male square on the ADAPTER (2) fits in the female star of the HANDLE BASE (7).
- Turn HANDLE STEM (1) to the off position. Push LEVER HANDLE BASE (7) and ADAPTER (2) onto VALVE STEM (1).
- Tighten HANDLE SCREW (6).
Check alignment, if not satisfactory aligned;
 - Push out ADAPTER (2) carefully.
 - Turn ADAPTER (2) either 45° or 90° so that male square on ADAPTER (2) catches different female square in LEVER HANDLE BASE (7).
- Assemble and tighten HANDLE SCREW (6). Push INDEX CAP (8) in top of LEVER HANDLE BASE (7).

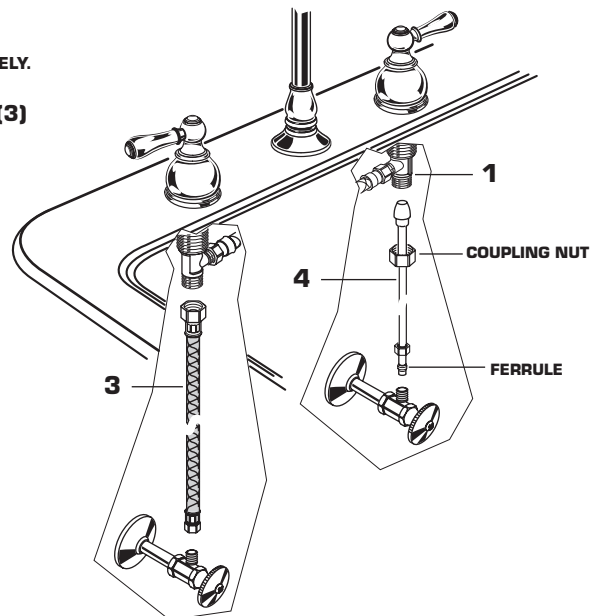


4

MAKE WATER SUPPLY CONNECTIONS

NOTE: FLEXIBLE SUPPLIES OR BULL-NOSE RISERS MUST BE PURCHASED SEPARATELY.

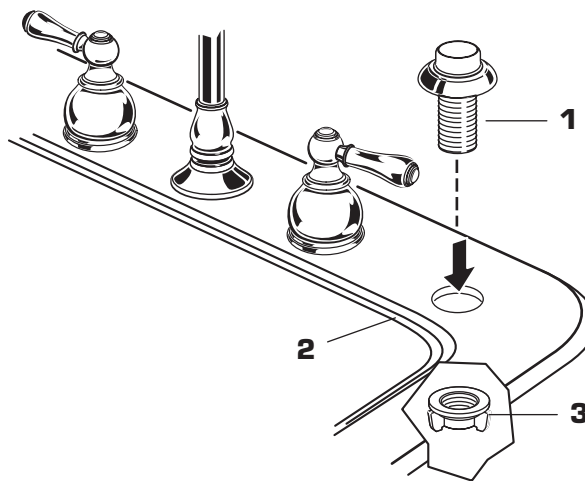
- Connect water supply to FAUCET (1) with 1/2" IPS FLEXIBLE SUPPLIES (3) or 3/8" O.D. BULL-NOSE RISERS (4). Use adjustable wrench to tighten connections. Do not over tighten. Be careful not to kink copper supply when bending. Use tubing cutter to cut to proper length.



5

FITTING WITH SPRAY

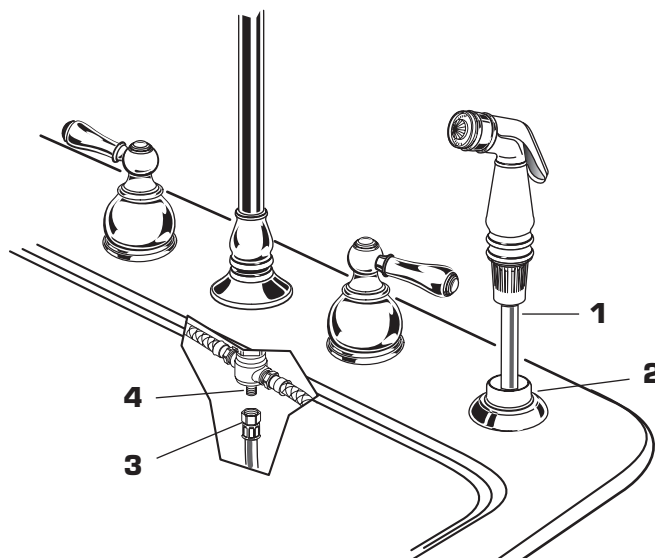
- Place SPRAY HOLDER (1) into separate hole of SINK (2) and assemble NUT (3) onto shank from underside of SINK (2).
- Hand tighten NUT (3).



6

FITTING WITH SPRAY

- Feed SPRAY HOSE (1) through SPRAY HOLDER (2) and attach COUPLING NUT (3) of HOSE (1) to HOSE ADAPTOR (4) on valve body. Tighten COUPLING NUT (3) firmly.



7

TEST INSTALLED FAUCET

- Remove AERATOR. With handles in OFF position, turn on water supplies and check all connections for leaks.
- Operate both HANDLES to flush water lines thoroughly. Rotate SPOUT in both directions. Replace AERATOR.
- Direct SPRAY HEAD into sink and activate SPRAY. Check HOSE connections for leaks.

8

If faucet drips proceed as follows:

- Aerator may accumulate dirt causing distorted and reduced water flow. Remove aerator and rinse clean.
- If spout drips, operate handles several times from OFF to ON position. Do not force-handles turn only 90°.

9

CARE INSTRUCTIONS:

DO: SIMPLY RINSE THE PRODUCT CLEAN WITH CLEAR WATER. DRY WITH A SOFT COTTON FLANNEL CLOTH.

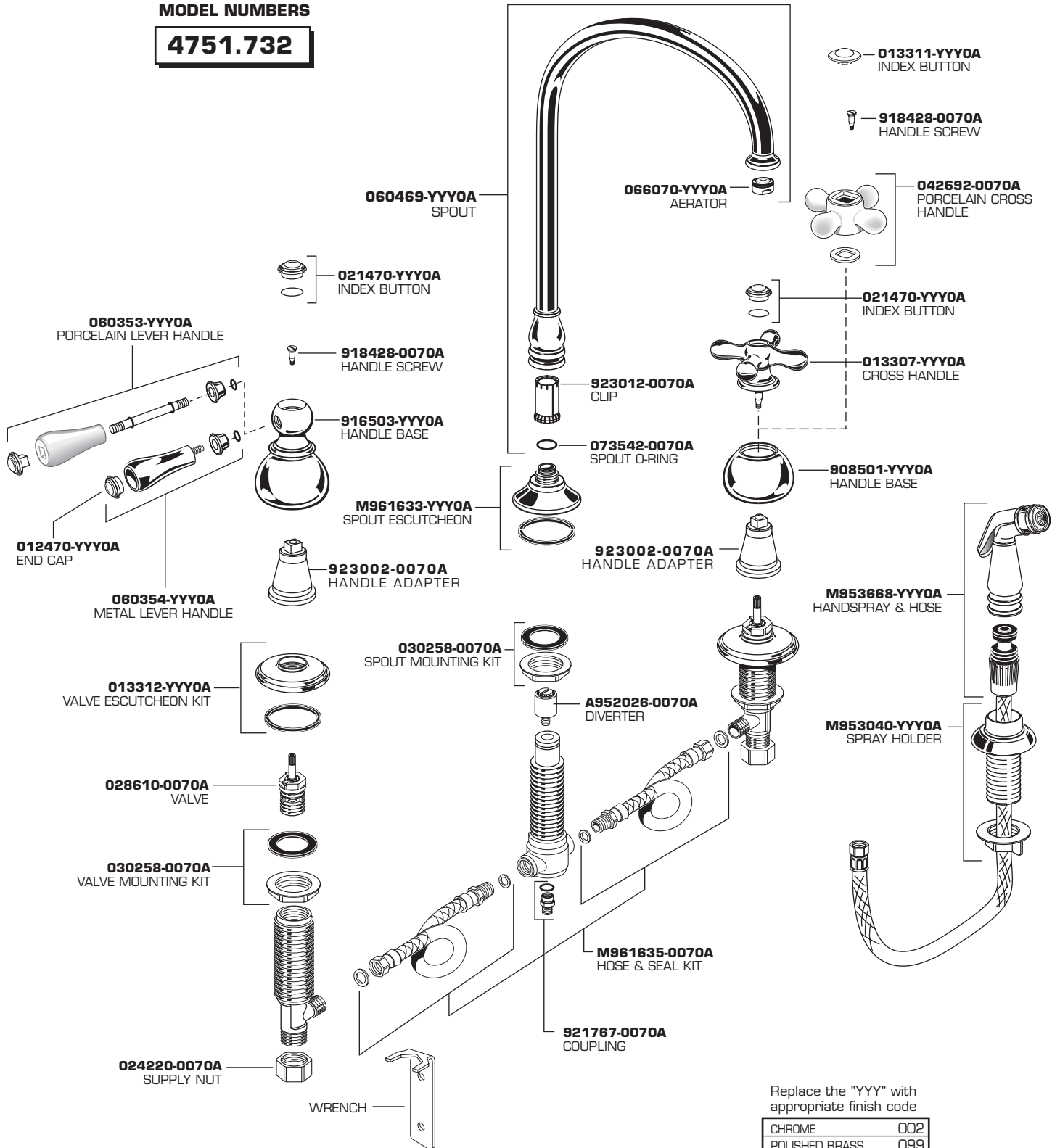
DO NOT: DO NOT CLEAN THE PRODUCT WITH SOAPS, ACID, POLISH, ABRASIVES, HARSH CLEANERS, OR A CLOTH WITH A COARSE SURFACE.

HAMPTON KITCHEN FAUCETS

MODEL NUMBERS

4751.732

American Standard



Replace the "YYY" with appropriate finish code

CHROME	002
POLISHED BRASS	099
SATIN NICKEL	295
OIL RUBBED BRONZE	224



HOT LINE FOR HELP

For toll-free information and answers to your questions, call:
1-800-442-1902
Weekdays 8:00 a.m. to 6:00 p.m. EST
IN CANADA 1-800-387-0369 (TORONTO 1-905-306-1093)
Weekdays 8:00 a.m. to 7:00 p.m. EST
IN MEXICO 01-800-839-12-00

Product names listed herein are trademarks of American Standard Inc.
© AS America, Inc. 2008

M968721 REV. 1.3