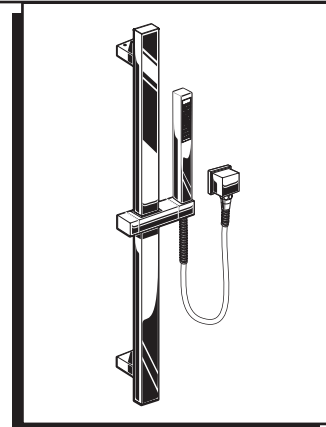


American Standard

**TIMES SQUARE™
SHOWER SYSTEM KIT**

**Installation
Instructions**

1662.184



Thank you for selecting American-Standard...the benchmark of fine quality for over 100 years.

To ensure that your installation proceeds smoothly—please read these instructions carefully before you begin.

Certified to comply with ANSI A112.18.1
M965452 REV. 1.2

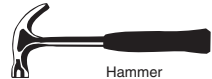
Recommended Tools & Materials



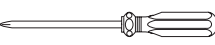
Tape Measure



Sealing Tape

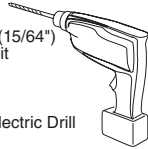


Hammer



Phillips Screwdriver

6mm (15/64")
Drill Bit



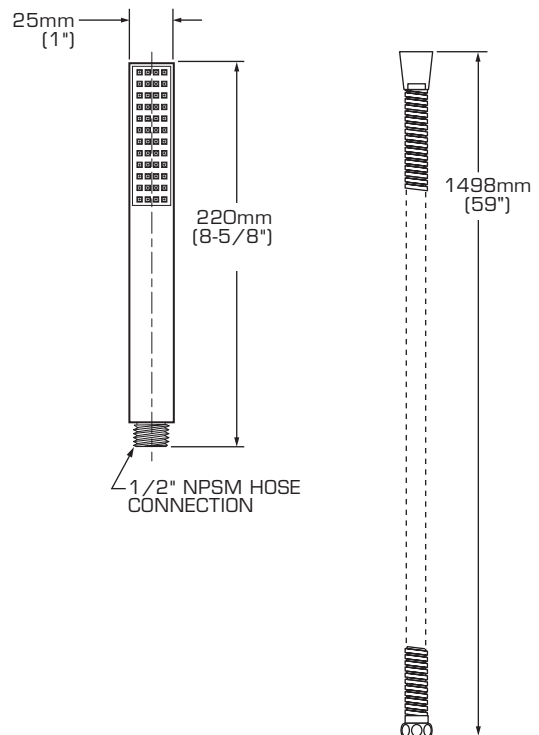
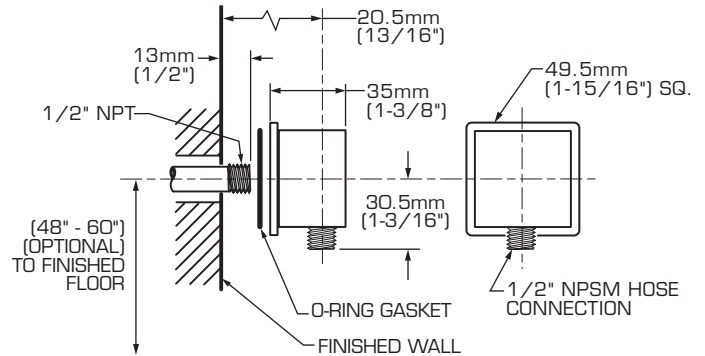
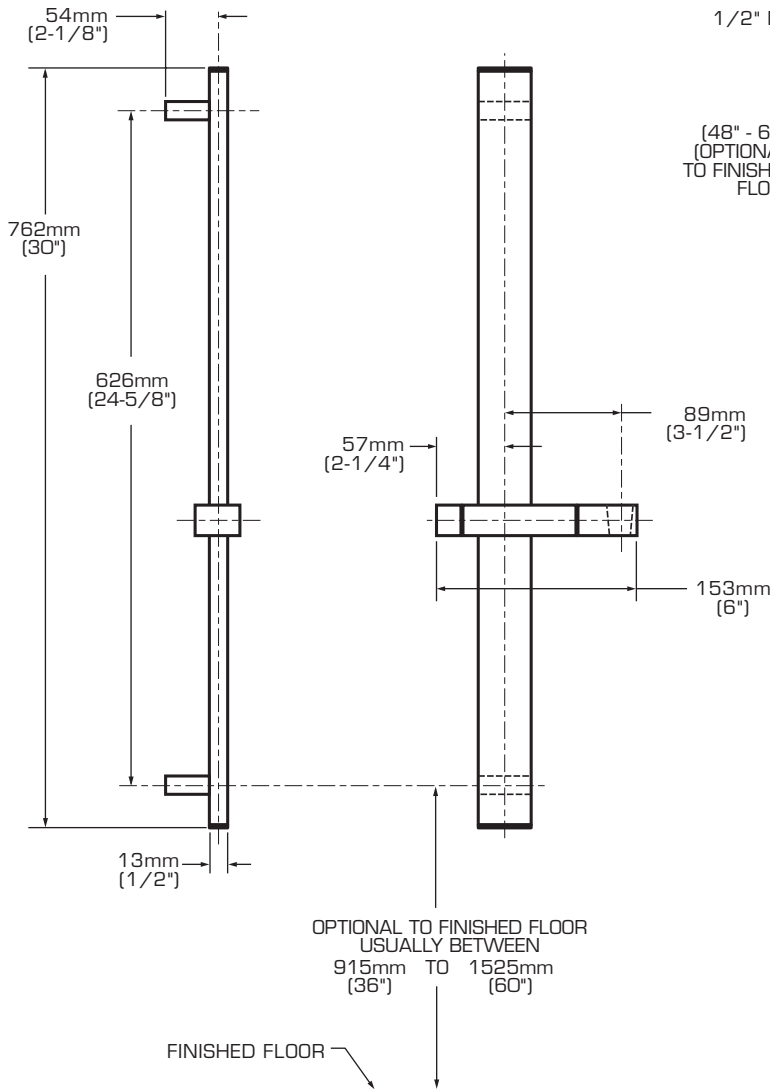
Electric Drill

CARE INSTRUCTIONS:

DO: SIMPLY RINSE THE PRODUCT CLEAN WITH CLEAR WATER. DRY WITH A SOFT COTTON FLANNEL CLOTH.

DO NOT: DO NOT CLEAN THE PRODUCT WITH SOAPS, ACID, POLISH, ABRASIVES, HARSH CLEANERS, OR A CLOTH WITH A COARSE SURFACE.

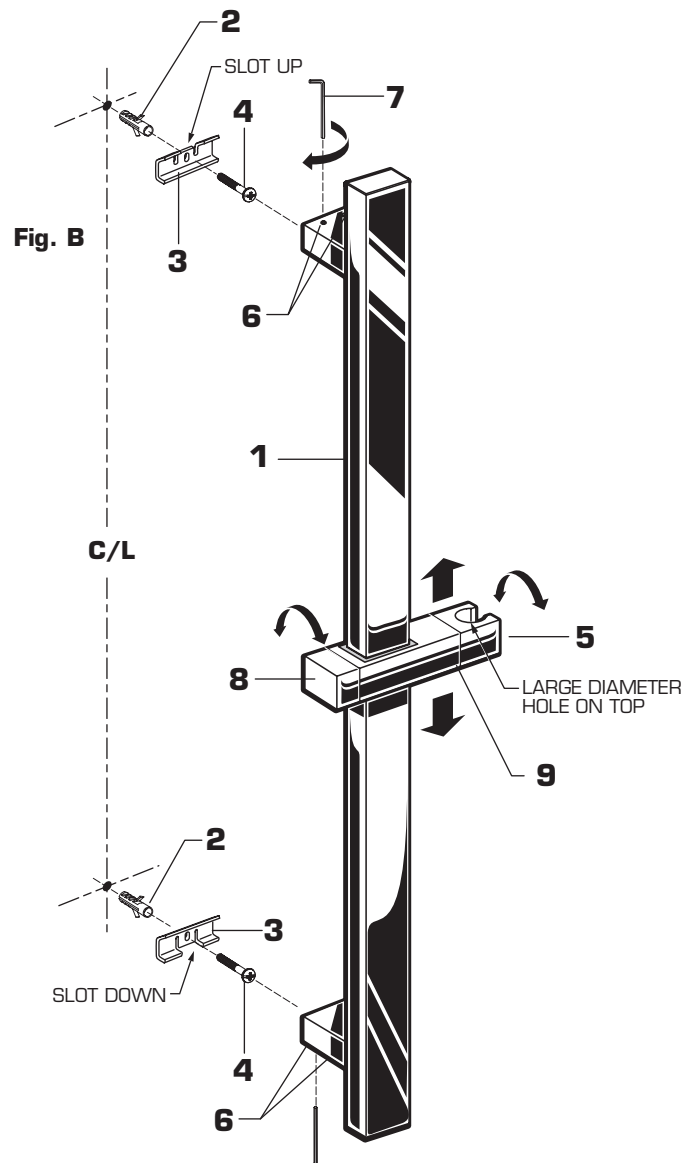
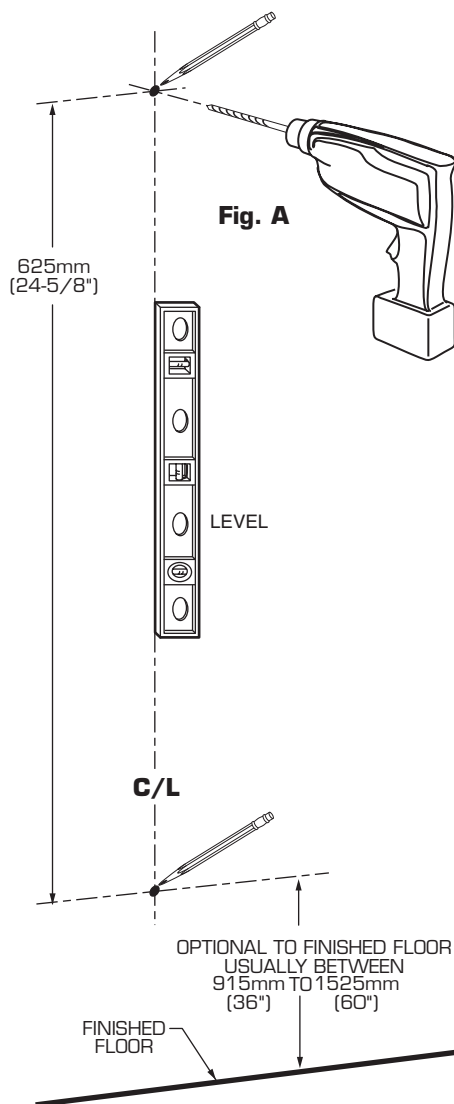
ROUGHING-IN DIMENSIONS



1

INSTALLATION INSTRUCTIONS

- The SLIDE BAR (1) works best when secured to the wall studs or cross brace using the WOOD SCREWS. If a mounting into the studs is not possible, use appropriate wall fasteners to secure the installation.
- Mark a vertical *center line* in the location you wish to install the SLIDE BAR (1). **NOTE: The height from the finished floor is optional. See rough-in drawing for suggested dimensions.**
- Determine desired height from the finished floor to the lower support and mark a horizontal center line. Measure up 625mm (24-5/8") and mark another horizontal center line marking the location of the two mounting holes to be drilled. **Fig. A.**
- Using 15/64" diameter drill. Drill two mounting holes 1-1/4" max. deep. **Fig. A.**
- Install the two ANCHORS (2) provided into the mounting holes. Use a hammer to lightly tap ANCHORS (2) into place. Make sure they are installed flush against the finished wall. **Fig. B.**
- Place the MOUNTING BRACKET (3) over the ANCHORS (2) and secure the MOUNTING BRACKET (3) with the SCREWS (4) provided. The top MOUNTING BRACKET (3) should have the slot facing up and lower MOUNTING BRACKET (3) should have the slot facing down. See illustration. **Fig. B.**
- Align and install the SLIDE BAR (1) onto the MOUNTING BRACKETS (3). **Important: Make sure the larger diameter hole in the HOLDER END (5) is on top. Rotate HOLDER END (5) 180° if it is not.** If SLIDE BAR (1) cannot be installed loosen MOUNTING BRACKETS (3) adjust, tighten and re-install SLIDE BAR (1). **Fig. B.**
- Hold SLIDE BAR (1) against finished wall. Tighten the four SET SCREWS (6) with the HEX WRENCH (7) supplied with SLIDE BAR (1). **Fig. B.**
- Check operation of SLIDE BAR (1) by rotating HAND SHOWER HOLDER KNOB (8) and moving HAND SHOWER HOLDER (9) up and down. Rotate KNOB (8) back to lock HAND SHOWER HOLDER (9). **Fig. B.**



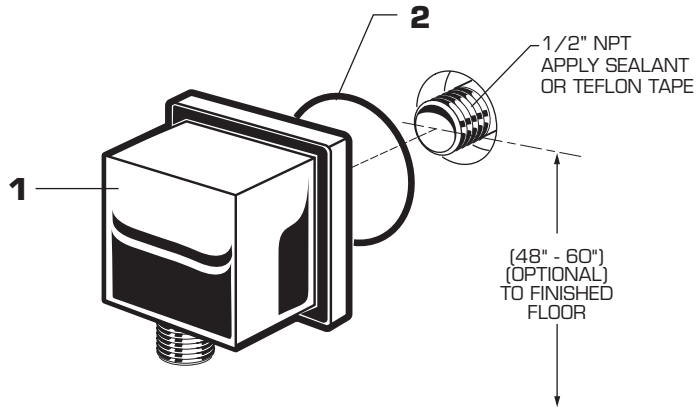
2

INSTALL WALL SUPPLY

CAUTION

Turn off hot and cold water supplies before beginning.

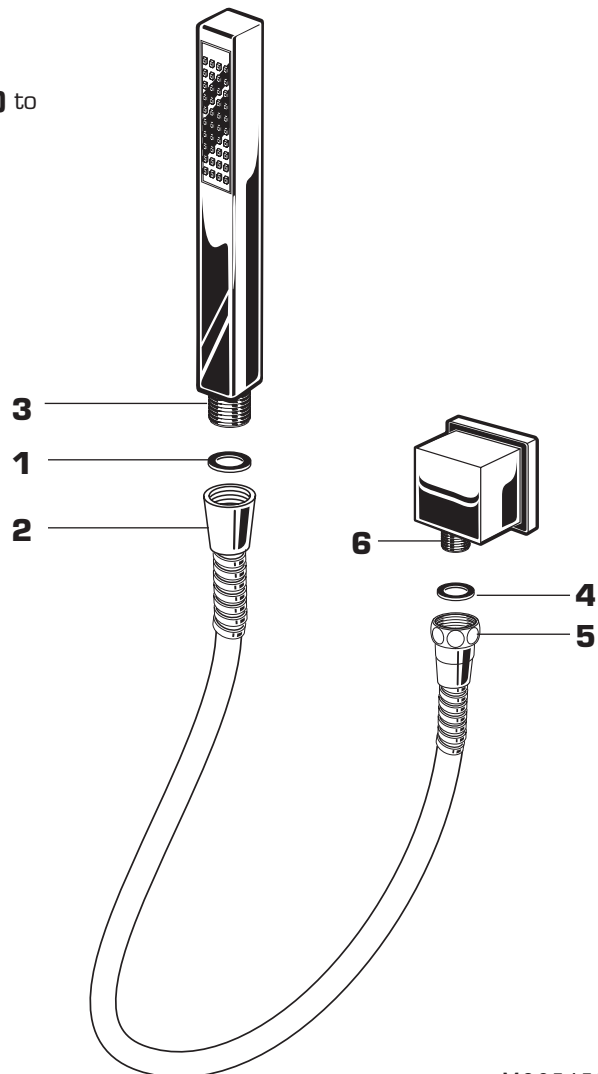
- WALL SUPPLY **(1)** is 1/2" NPT. *See rough-in above for detailed information.*
- Install O-RING **(2)** onto back of WALL SUPPLY **(1)**.
- Apply sealant or teflon tape to threads of 1/2" NPT supply nipple. Tighten ELBOW **(1)** onto the inlet pipe nipple with a smooth jaw wrench. WALL SUPPLY **(1)** should be tight against finished wall.



3

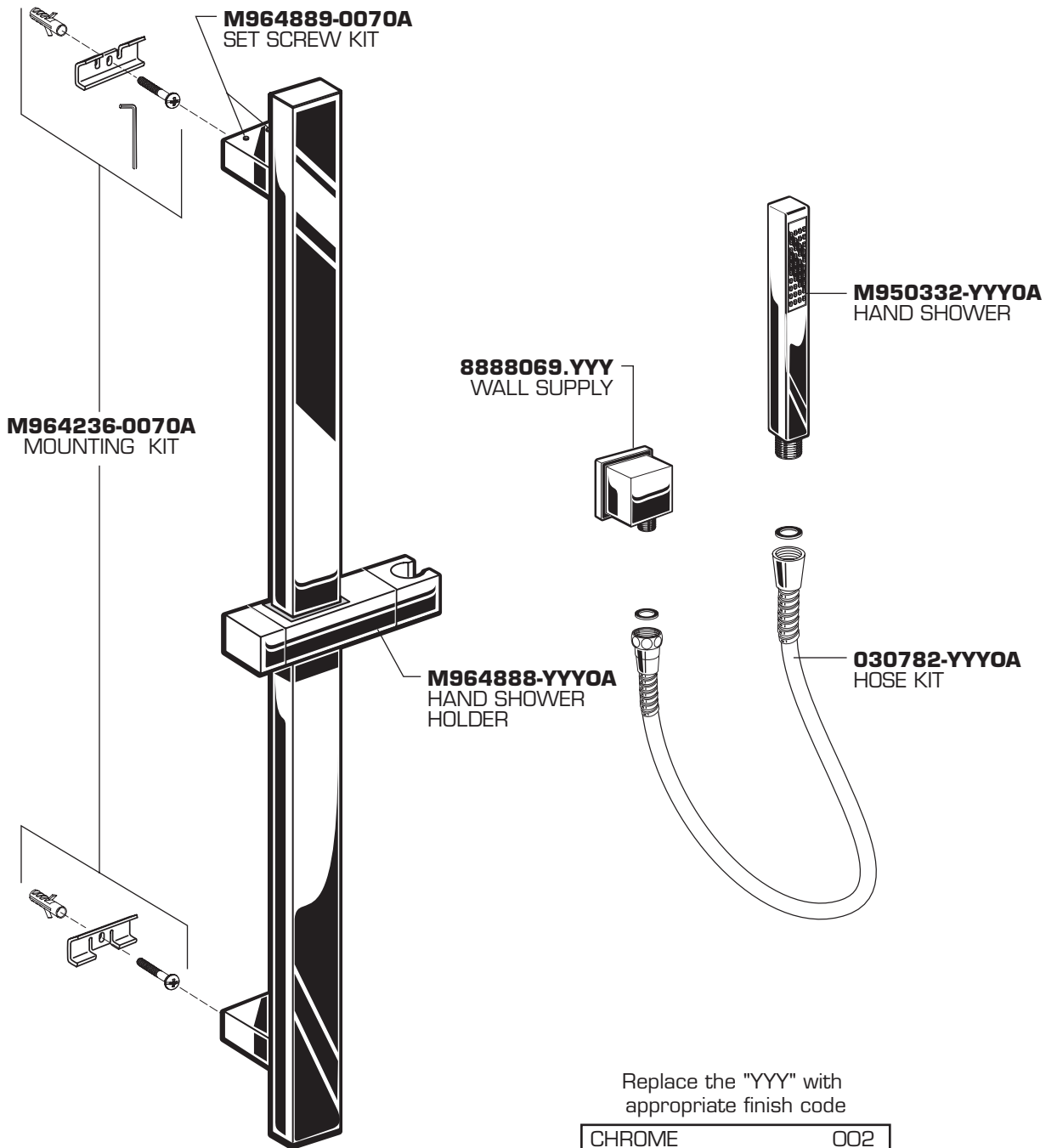
INSTALL HOSE AND HAND SHOWER TO WALL SUPPLY

- Install SEAL **(1)** into SPRAY HOSE END **(2)** and connect HAND SHOWER **(3)** to SPRAY HOSE END **(2)**. Hand tighten.
- Install SEAL **(4)** into HOSE END **(5)**. Connect HOSE END **(5)** to WALL SUPPLY **(6)**. Tighten with adjustable wrench. Do not over tighten.
- Turn on water and test HAND SHOWER **(3)**.



MODEL NUMBER

1662.184



Replace the "YYY" with appropriate finish code

CHROME	002
SATIN NICKEL	295



HOT LINE FOR HELP
For toll-free information and answers to your questions, call:
1-800-442-1902
Weekdays 8:00 a.m. to 8:00 p.m. EST
IN MEXICO 01-800-839-1200
IN CANADA 1-800-387-0369 (TORONTO 1-905-306-1093)
Weekdays 8:00 a.m. to 7:00 p.m. EST