

American Standard

# Installation Instructions 4285.551

## PORTSMOUTH™ DUAL CONTROL HIGH-ARC KITCHEN FAUCET

Thank you for selecting American Standard...  
the benchmark of fine quality for over 100 years.

To ensure that your installation proceeds smoothly—  
please read these instructions carefully before you begin.



Certified to comply with ASME A112.18.1M

M965459 Rev. 1.1

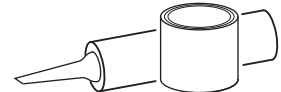
### RECOMMENDED TOOLS



Channel Locks



Adjustable Wrench



Plumbers' Putty or Caulking

## 1 INSTALL FAUCET and SPRAY

### CAUTION

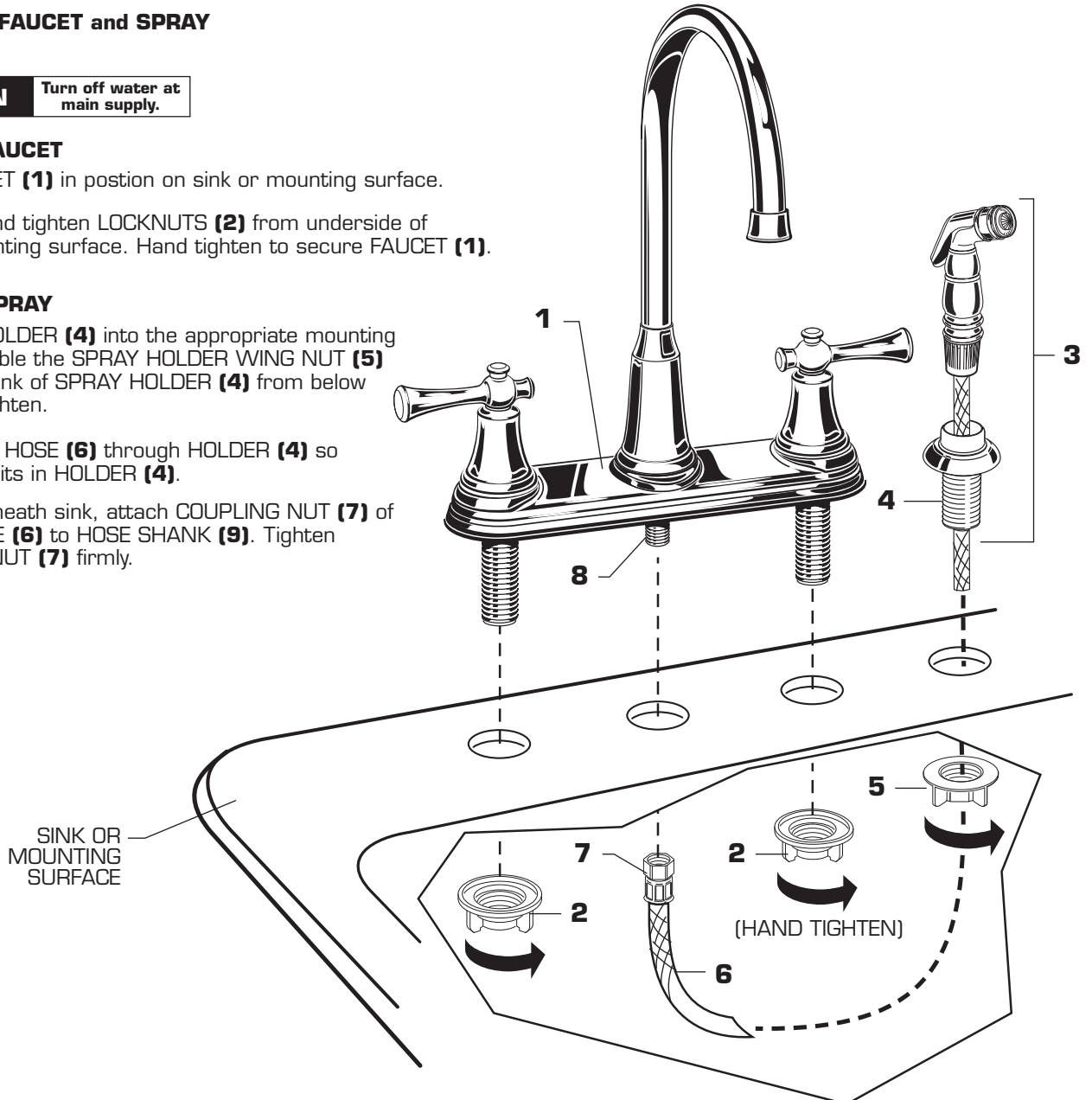
Turn off water at  
main supply.

### INSTALL FAUCET

- Place FAUCET (1) in position on sink or mounting surface.
- Assemble and tighten LOCKNUTS (2) from underside of sink or mounting surface. Hand tighten to secure FAUCET (1).

### INSTALL SPRAY

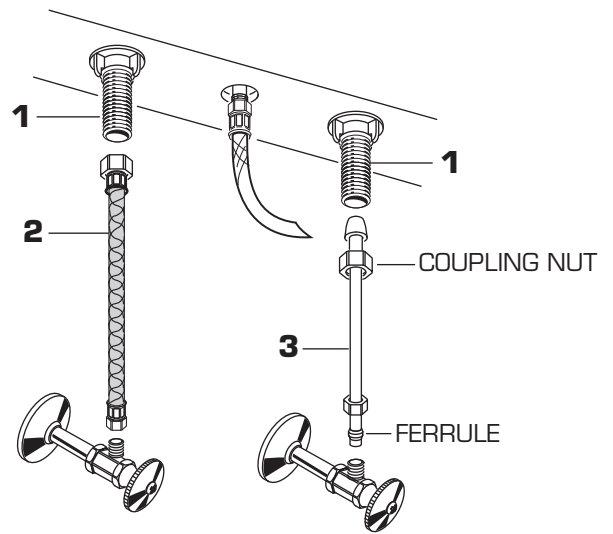
- Place the HOLDER (4) into the appropriate mounting hole. Assemble the SPRAY HOLDER WING NUT (5) onto the shank of SPRAY HOLDER (4) from below and hand tighten.
- Feed SPRAY HOSE (6) through HOLDER (4) so SPRAY (3) sits in HOLDER (4).
- From underneath sink, attach COUPLING NUT (7) of SPRAY HOSE (6) to HOSE SHANK (9). Tighten COUPLING NUT (7) firmly.



## 2 MAKE WATER SUPPLY CONNECTIONS

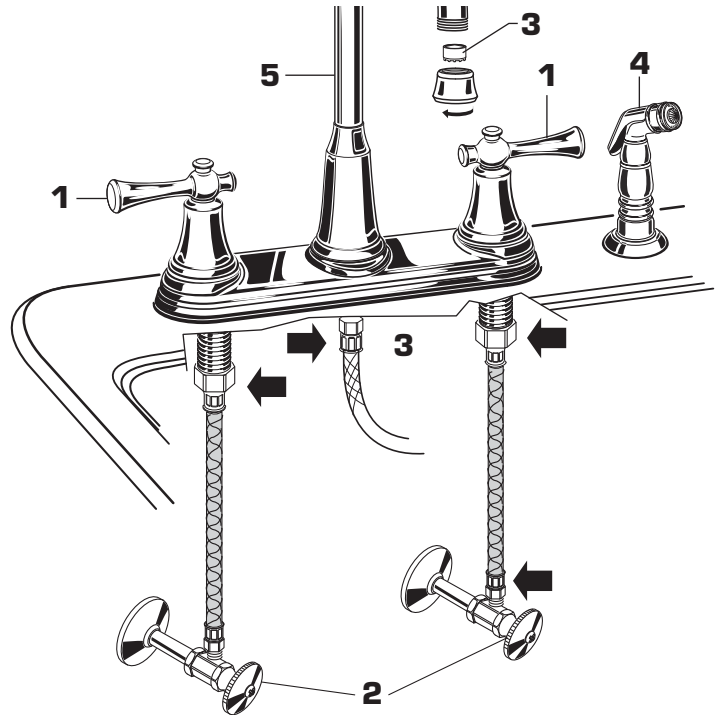
**NOTE: FLEXIBLE SUPPLIES OR BULL-NOSE RISERS MUST BE PURCHASED SEPARATELY.**

- Connect water supply to FAUCET (1) with 1/2" IPS FLEXIBLE SUPPLIES (2) or 3/8" O.D. BULL-NOSE RISERS (3).
- Use adjustable wrench to tighten connections. Do not over tighten. For BULL-NOSE RISERS (3), be careful not to kink copper supply when bending. Use of tubing cutter may be required to cut to proper length.



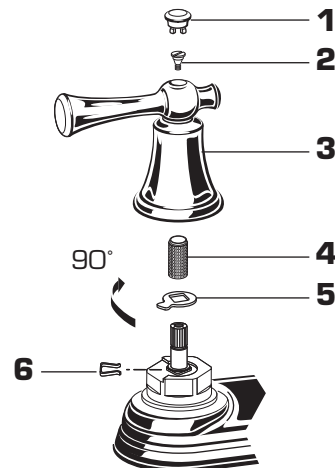
## 3 TEST INSTALLED FITTING

- With HANDLES (1) in OFF position, turn on WATER SUPPLIES (2) and check all connections for leaks. ➔
- Remove AERATOR (3).
- Operate both HANDLES (1) to flush water lines thoroughly.
- Rotate SPOUT (5) in both directions.
- Replace AERATOR (3).
- Direct SPRAY (4) into sink and activate. Check hose connections for leaks.



## 4 SERVICE

- To change direction of handle rotation, proceed as follows:
  - Turn valve to OFF position.
  - Pull out INDEX CAP (1) and remove HANDLE SCREW (2).
  - Pull off HANDLE (3).
  - Pull off STEM ADAPTER (4).
  - Remove SPRING CLIP (6).
  - Lift STOP WASHER (5), turn 90° and replace.
  - Replace SPRING CLIP (6) and STEM ADAPTER (4).
  - Reinstall HANDLE ASSEMBLY (1, 2 & 3).
- If spout drips, operate handles several times from OFF to ON position. Do not force - handles turn only 90°.



## 5 CARE:

**DO: SIMPLY RINSE THE PRODUCT CLEAN WITH CLEAR WATER. DRY WITH A SOFT COTTON FLANNEL CLOTH.**

**DO NOT: DO NOT CLEAN THE PRODUCT WITH SOAPS, ACID, POLISH, ABRASIVES, HARSH CLEANERS, OR A CLOTH WITH A COARSE SURFACE.**

*American Standard*

**PORTSMOUTH™  
DUAL CONTROL HIGH-ARC  
KITCHEN FAUCET**

**MODEL NUMBER**

**4285.551**

**M909610-YYY0A**  
INDEX BUTTON

**918555-0070A**  
HANDLE SCREW

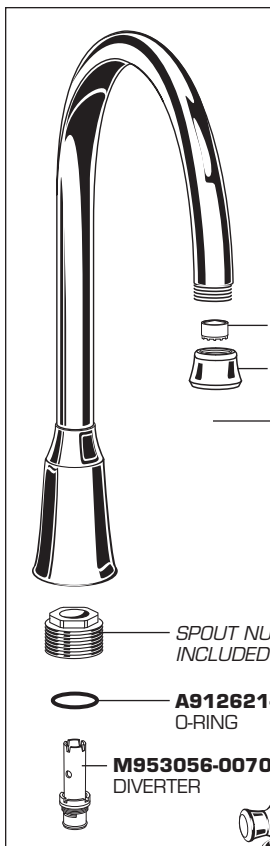
**M909430-YYY0A**  
HANDLE ASSEMBLY

**918049-0070A**  
ADAPTER

**994053-0070A**  
VALVE

**M923057-0070A**  
PUTTY PLATE

**065800-0070A**  
ATTACHMENT NUT



**M964401-YYY0A**  
SPOUT KIT

**M910261-0070A**  
AERATOR  
**M911231-YYY0A**  
AERATOR RING

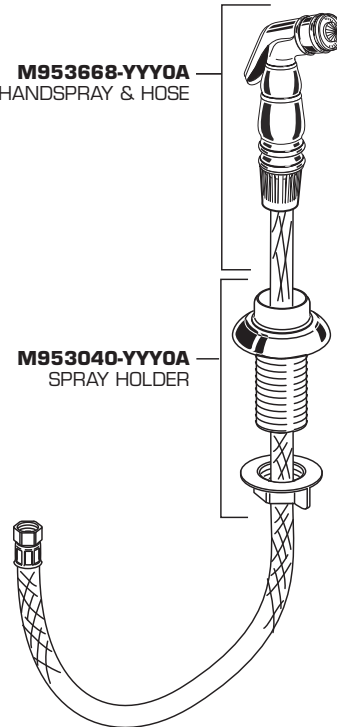
*SPOUT NUT NOT INCLUDED IN SPOUT KIT*

**A912621-0070A**  
O-RING

**M953056-0070A**  
DIVERTER

**M953668-YYY0A**  
HANDSPRAY & HOSE

**M953040-YYY0A**  
SPRAY HOLDER



Replace the YYY with  
Appropriate finish code

CHROME	002
STAINLESS STEEL	075
OIL RUBBED BRONZE	224



**HOT LINE FOR HELP**

For toll-free information and answers to your questions, call:  
1-800-442-1902  
Weekdays 8:00 a.m. to 6:00 p.m. EST  
IN CANADA 1-800-387-0369 (TORONTO 1-905-306-1093)  
Weekdays 8:00 a.m. to 7:00 p.m. EST  
IN MEXICO 01-800-839-1200