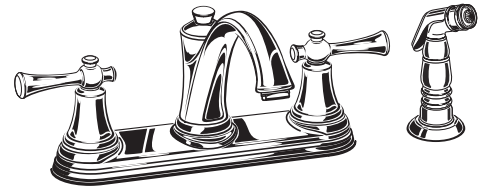


**PORTSMOUTH™
DUAL CONTROL KITCHEN FAUCET**



Certified to comply with ASME A112.18.1M
M965458 Rev. 1.2

*Thank you for selecting American-Standard...
the benchmark of fine quality for over 100 years.*

*To ensure that your installation proceeds smoothly—
please read these instructions carefully before you begin.*

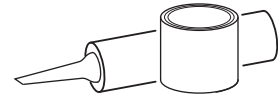
RECOMMENDED TOOLS



Channel Locks



Adjustable Wrench



Plumbers' Putty or Caulking

1 INSTALL FAUCET and SPRAY

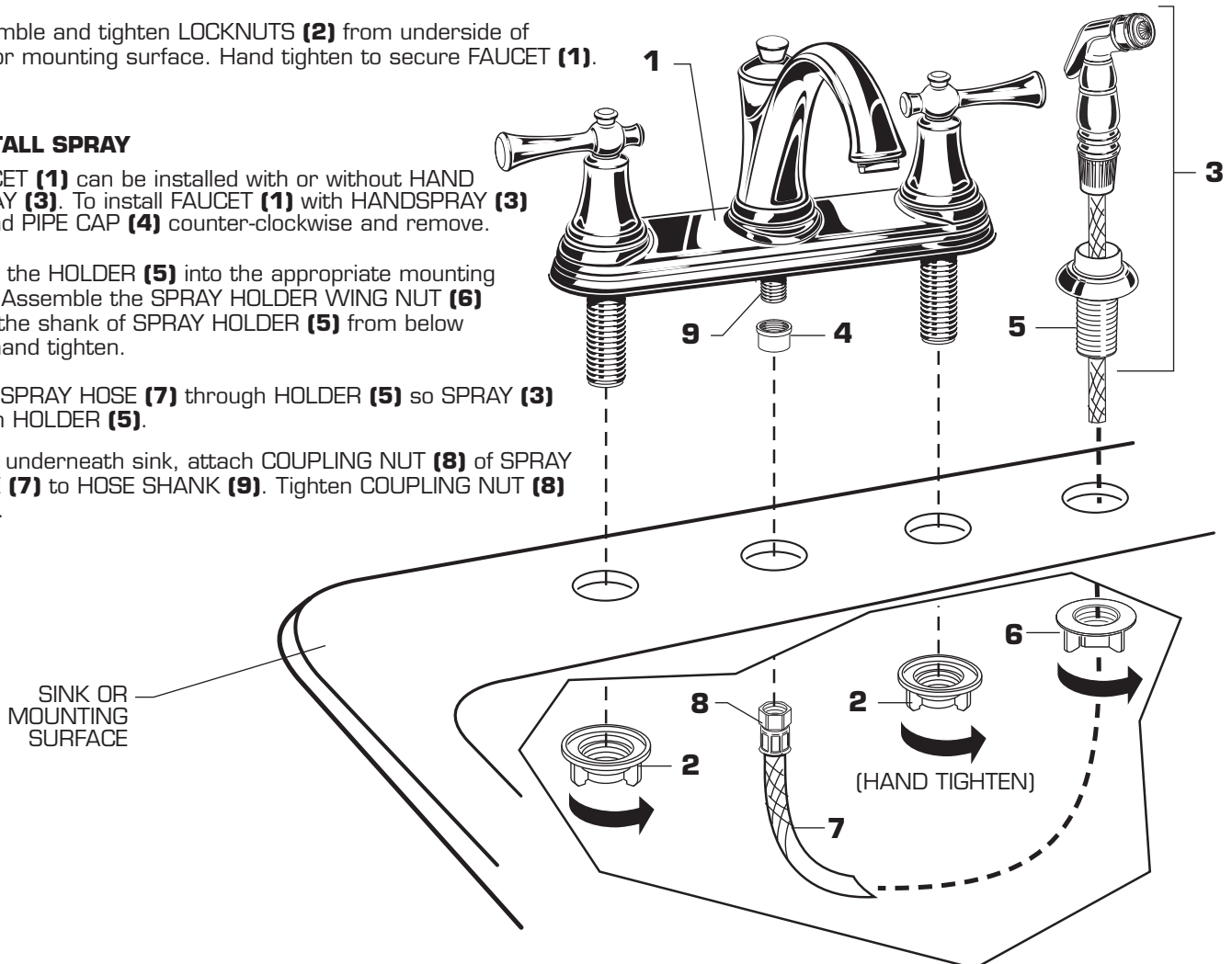
CAUTION Turn off water at main supply.

INSTALL FAUCET

- Place FAUCET (1) in position on sink or mounting surface.
- Assemble and tighten LOCKNUTS (2) from underside of sink or mounting surface. Hand tighten to secure FAUCET (1).

INSTALL SPRAY

- FAUCET (1) can be installed with or without HAND SPRAY (3). To install FAUCET (1) with HANDSPRAY (3) thread PIPE CAP (4) counter-clockwise and remove.
- Place the HOLDER (5) into the appropriate mounting hole. Assemble the SPRAY HOLDER WING NUT (6) onto the shank of SPRAY HOLDER (5) from below and hand tighten.
- Feed SPRAY HOSE (7) through HOLDER (5) so SPRAY (3) sits in HOLDER (5).
- From underneath sink, attach COUPLING NUT (8) of SPRAY HOSE (7) to HOSE SHANK (9). Tighten COUPLING NUT (8) firmly.



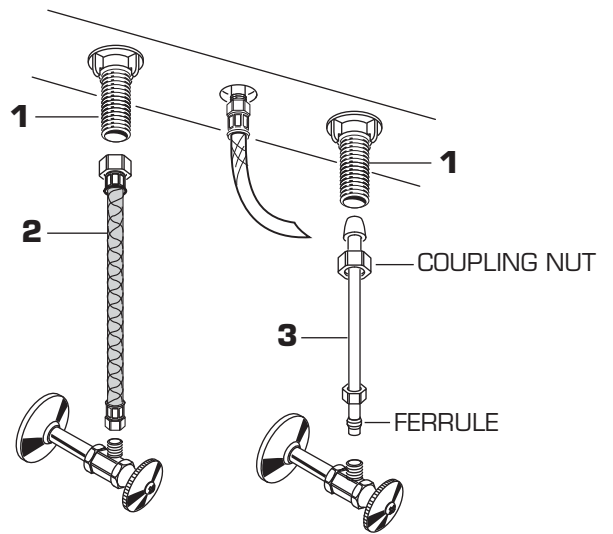
SINK OR
MOUNTING
SURFACE

2

MAKE WATER SUPPLY CONNECTIONS

NOTE: FLEXIBLE SUPPLIES OR BULL-NOSE RISERS MUST BE PURCHASED SEPARATELY.

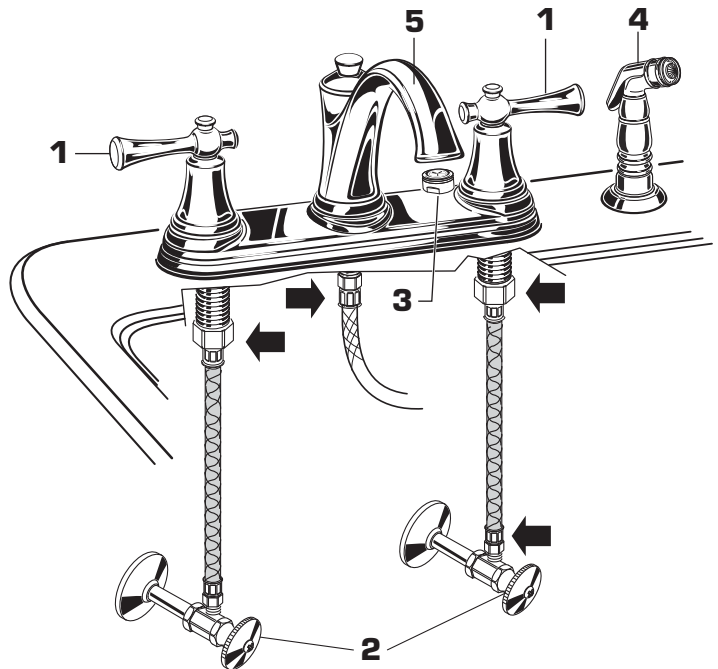
- Connect water supply to FAUCET (1) with 1/2" IPS FLEXIBLE SUPPLIES (2) or 3/8" O.D. BULL-NOSE RISERS (3).
- Use adjustable wrench to tighten connections. Do not over tighten. For BULL-NOSE RISERS (3), be careful not to kink copper supply when bending. Use of tubing cutter may be required to cut to proper length.



3

TEST INSTALLED FITTING

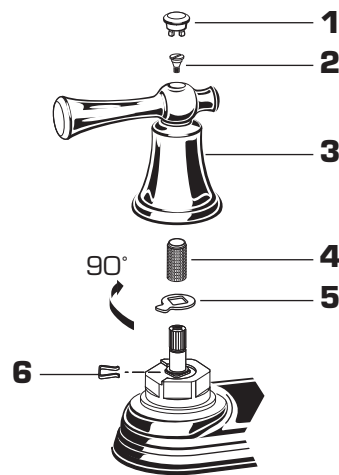
- With HANDLES (1) in OFF position, turn on WATER SUPPLIES (2) and check all connections for leaks. ➔
- Remove AERATOR (3).
- Operate both HANDLES (1) to flush water lines thoroughly.
- Rotate SPOUT (5) in both directions.
- Replace AERATOR (3).
- Direct SPRAY (4) into sink and activate. Check hose connections for leaks.



4

SERVICE

- To change direction of handle rotation, proceed as follows:
 - Turn valve to OFF position.
 - Pull out INDEX CAP (1) and remove HANDLE SCREW (2).
 - Pull off HANDLE (3).
 - Pull off STEM ADAPTER (4).
 - Remove SPRING CLIP (6).
 - Lift STOP WASHER (5), turn 90° and replace.
 - Replace SPRING CLIP (6) and STEM ADAPTER (4).
 - Reinstall HANDLE ASSEMBLY (1, 2 & 3).
- If spout drips, operate handles several times from OFF to ON position. Do not force - handles turn only 90°.



5

CARE:

DO: SIMPLY RINSE THE PRODUCT CLEAN WITH CLEAR WATER. DRY WITH A SOFT COTTON FLANNEL CLOTH.

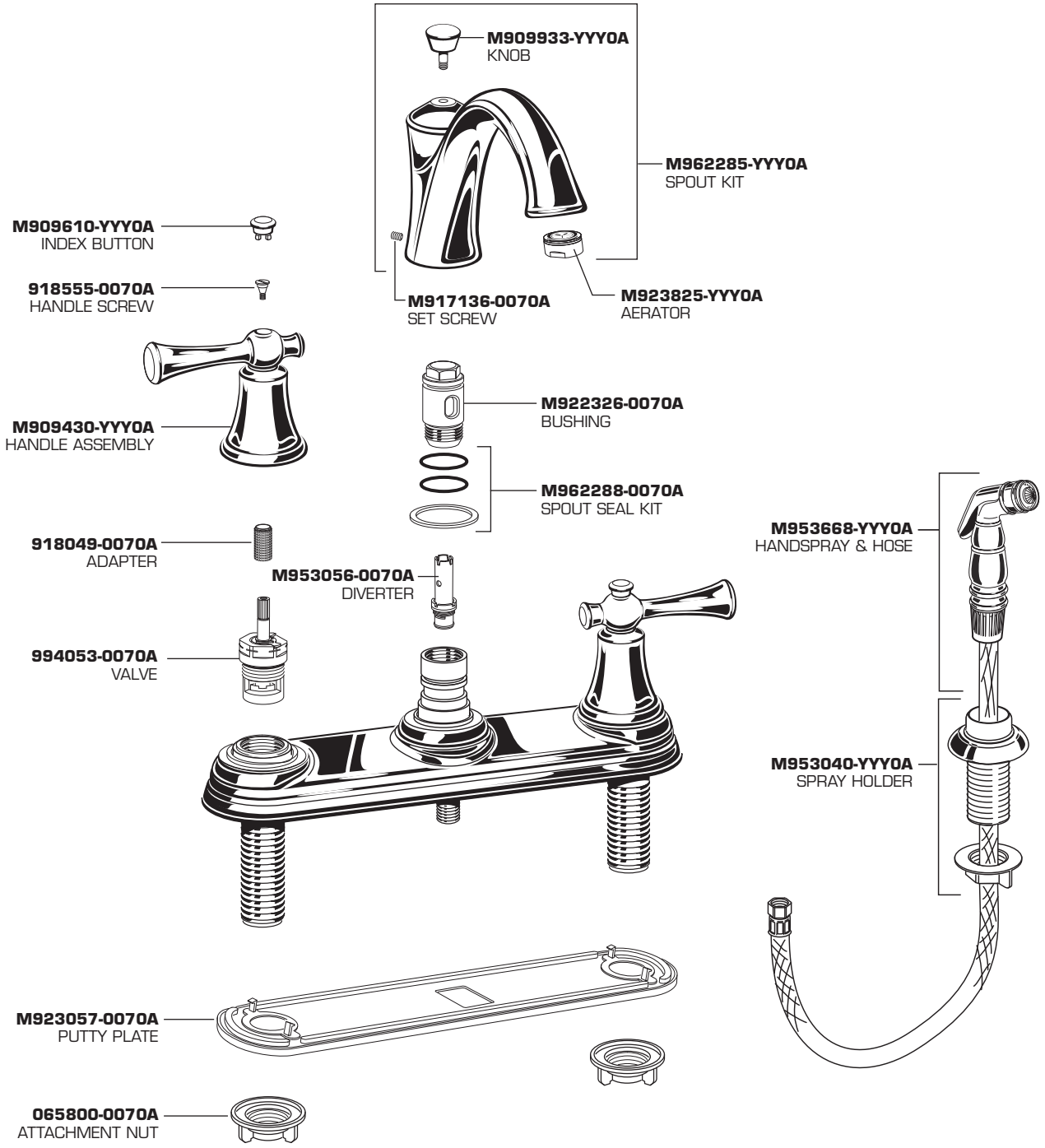
DO NOT: DO NOT CLEAN THE PRODUCT WITH SOAPS, ACID, POLISH, ABRASIVES, HARSH CLEANERS, OR A CLOTH WITH A COARSE SURFACE.

American Standard

**PORTSMOUTH™
DUAL CONTROL KITCHEN FAUCET**

MODEL NUMBER

4285.501



Replace the YYY with
Appropriate finish code

CHROME	002
STAINLESS STEEL	075
OIL RUBBED BRONZE	224



HOT LINE FOR HELP

For toll-free information and answers to your questions, call:
1-800-442-1902
Weekdays 8:00 a.m. to 6:00 p.m. EST
IN CANADA 1-800-387-0369 (TORONTO 1-905-306-1093)
Weekdays 8:00 a.m. to 7:00 p.m. EST
IN MEXICO 01-800-839-1200

Product names listed herein are trademarks of American Standard Inc.
© AS America, Inc. 2013

M965458 Rev. 1.2