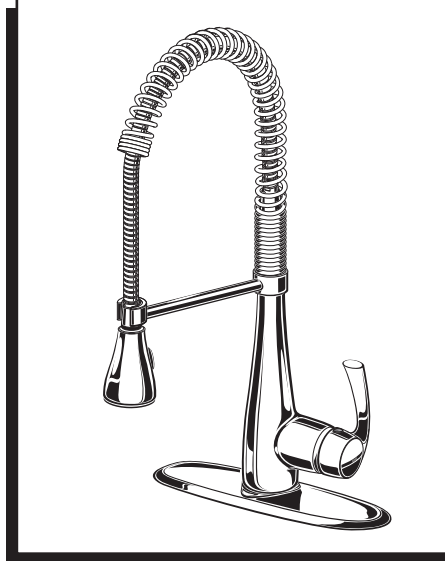


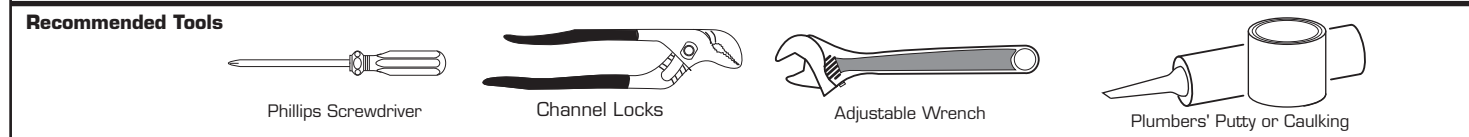
American Standard

**QUINCE™
SINGLE LEVER
SEMI-PROFESSIONAL
KITCHEN FAUCET**

**Installation
Instructions
4433.350**



Certified to comply with ANSI A112.18.1M
M965242 REV. 1.4



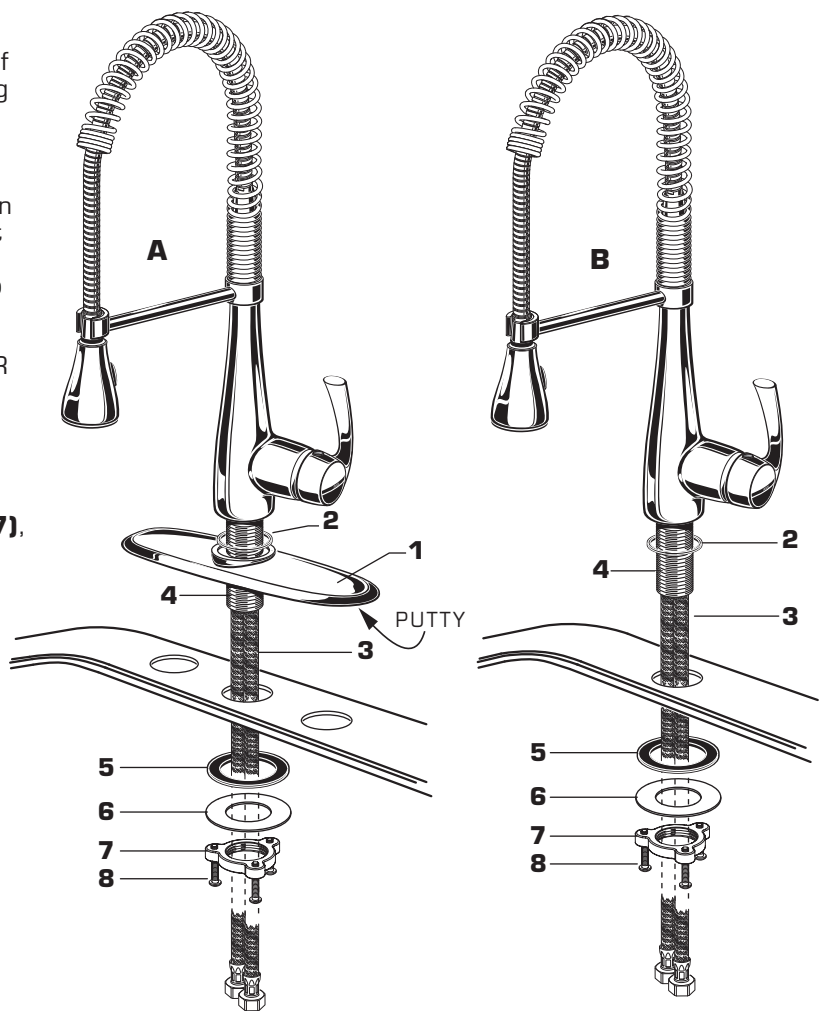
1 INSTALL FAUCET WITH OR WITHOUT DECK ESCUTCHEON **CAUTION** Turn off hot and cold water supplies before beginning.

■ **(A) Installation with ESCUTCHEON (1).** Apply a bead of putty to bottom edge of ESCUTCHEON with PUTTY PLATE (1). Make certain the SEAL (2) is properly seated in recess of faucet body. Insert SUPPLY HOSES (3) and SHANK (4) through hole of ESCUTCHEON with PUTTY PLATE (1) and mounting surface. Follow mounting instructions below to secure faucet to mounting surface.

■ **(B) Installation less ESCUTCHEON (1).** Discard ESCUTCHEON with PUTTY PLATE (1). Make certain the SEAL (2) is properly seated in recess of faucet body. Insert supply HOSES (3) and SHANK (4) through mounting hole and seat SPOUT BASE onto sink or mounting surface. **Do not use putty.**

■ Assemble RUBBER WASHER (4), METAL WASHER (6) and threaded LOCKNUT (7) onto SHANK (3) from underside of sink or mounting surface. Hand tighten LOCKNUT (7).

■ Use a screwdriver to tighten SCREWS (8) on LOCKNUT (7). Work your way around LOCKNUT (7), tightening the screws slightly each time until all are snug to ensure even pressure.



2 MAKE WATER SUPPLY CONNECTIONS

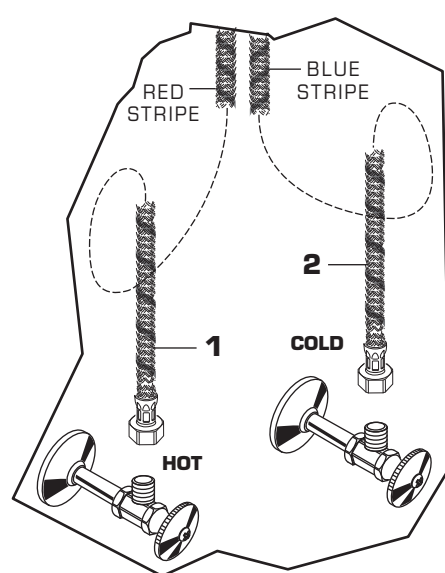
■ Turn off hot and cold water supplies before beginning.

■ Connect FLEXIBLE SUPPLIES (1, 2) directly to wall supplies. Connection on fitting supplies are 3/8" compression. Connect left supply (Marked with a Red Stripe) to Hot and right supply (Marked with Blue Stripe) to Cold wall supply. Use adjustable wrench to tighten connections. Do not over tighten.

■ Faucet supplies are 27-1/2" long from faucet base.

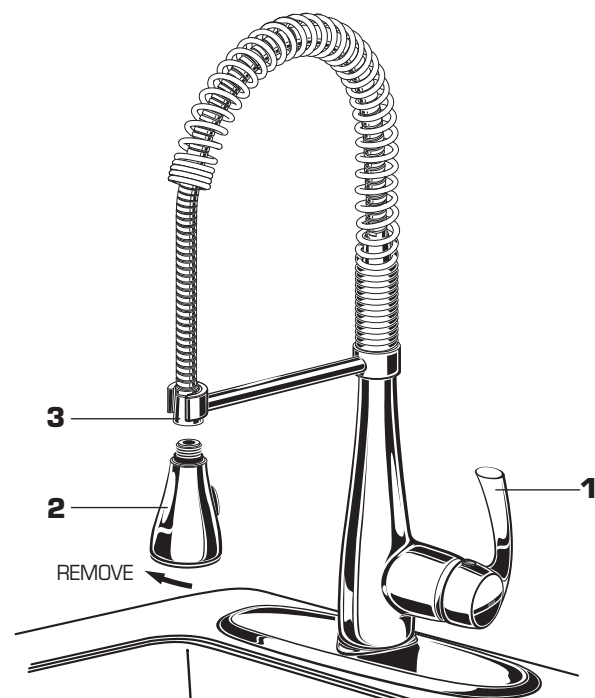
■ **Note: If additional supply length is required, installer must purchase additional parts separately.**

■ **Important: If SUPPLY HOSES (1, 2) are too long, loop as illustrated to avoid kinking.**



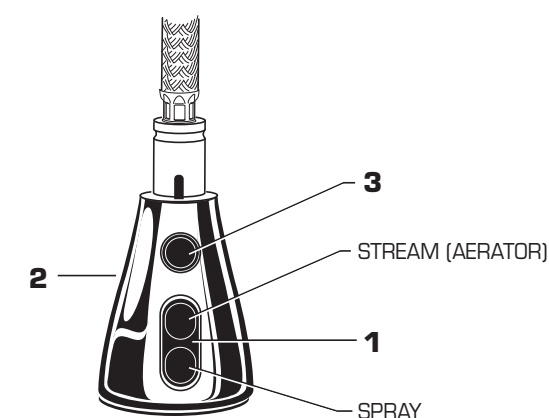
3 TEST INSTALLED FAUCET

- Move HANDLE (1) into "off" position.
- Unthread SPRAY END (2) from HOSE END (3).
- Turn on water supplies and check connections for leaks. ➔
- Operate HANDLE (1) on and off, hot and cold to flush water lines thoroughly. Replace SPRAY END (2).
- Check all drain connections for leaks. ➔
- Move HANDLE (1) to "off" position.



4 SPRAY OPERATION

- With FAUCET on press TOGGLE BUTTON (1) on SPRAY (2) to switch from stream to spray.
- Press and hold PAUSE BUTTON (3) to temporarily stop flow from SPRAY (2). Release PAUSE BUTTON (3) to resume flow from SPRAY (2).

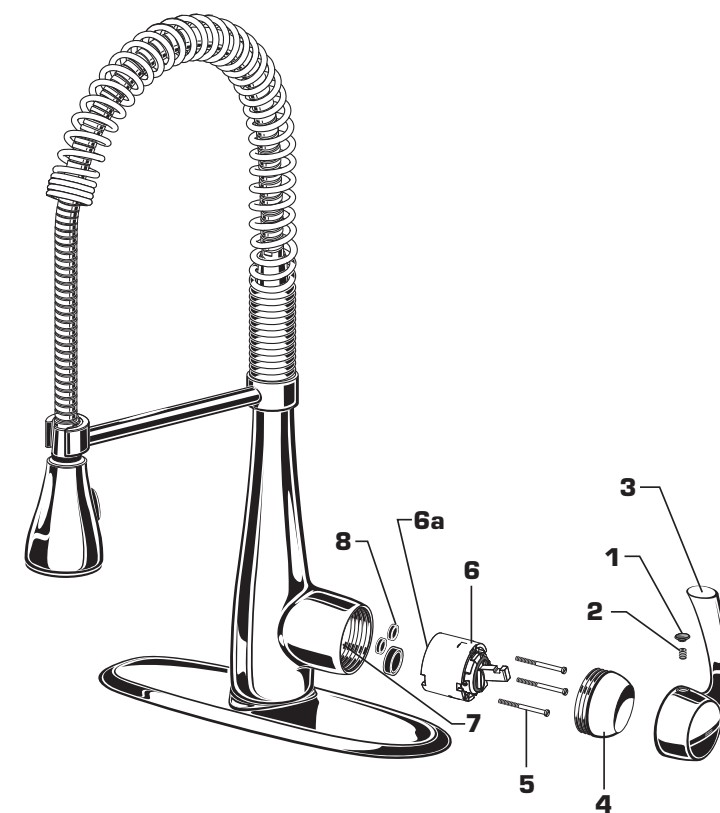


5 SERVICE

■ If faucet drips, operate HANDLE several times from "off" to "on." Do not apply excessive force.

■ **Clogged CARTRIDGE outlets or inlets may cause reduced flow.** To clean, first turn off water supply then:

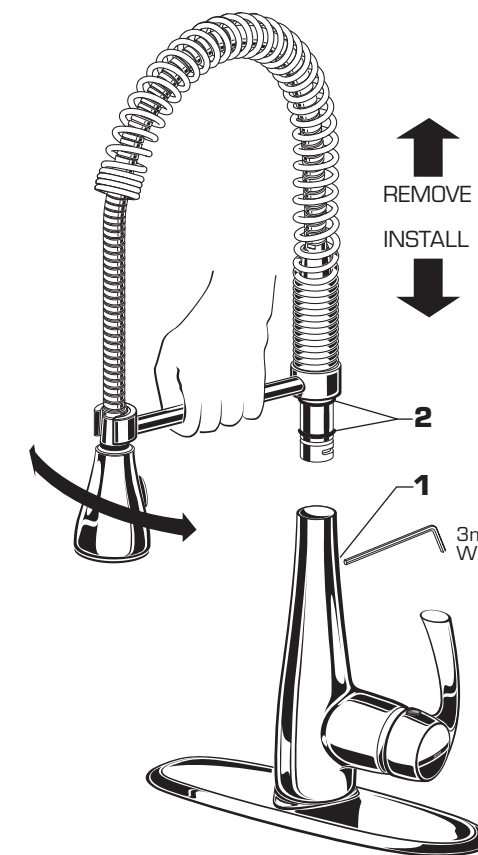
- Remove INDEX BUTTON (1), loosen HANDLE SCREW (2) and remove HANDLE (3).
- Unthread the ESCUTCHEON CAP (4). Unthread three MOUNTING SCREWS (5).
- Lift CARTRIDGE (6) off MANIFOLD (7) and remove CARTRIDGE SEALS (8).
- Clean MANIFOLD (7), CARTRIDGE (6) ports and SEALS (8).
- Place SEALS (8) into CARTRIDGE PORTS (6a).
- Place CARTRIDGE (6) onto MANIFOLD (7) and tighten MOUNTING SCREWS (5) alternately.
- Replace ESCUTCHEON CAP (4), HANDLE (3), tighten HANDLE SCREW (2) and install INDEX BUTTON (1).



6 SERVICE

If SPOUT (3) leaks at swivel point the O-RINGS (2) need to be replaced. To remove SPOUT (3):

- Loosen the SPOUT SET SCREW (1) with a 3mm Hex wrench.
- Rotate the SPOUT (3) side to side while pulling upward to remove SPOUT (3) from faucet body.
- Replace the defective parts, grease O-RINGS then push SPOUT (3) back into position. Tighten SET SCREW (1).
- Check that SPOUT (3) rotates freely and does not leak at the swivel point.



7 CARE INSTRUCTIONS:

DO: SIMPLY RINSE THE PRODUCT CLEAN WITH CLEAR WATER. DRY WITH A SOFT COTTON FLANNEL CLOTH.

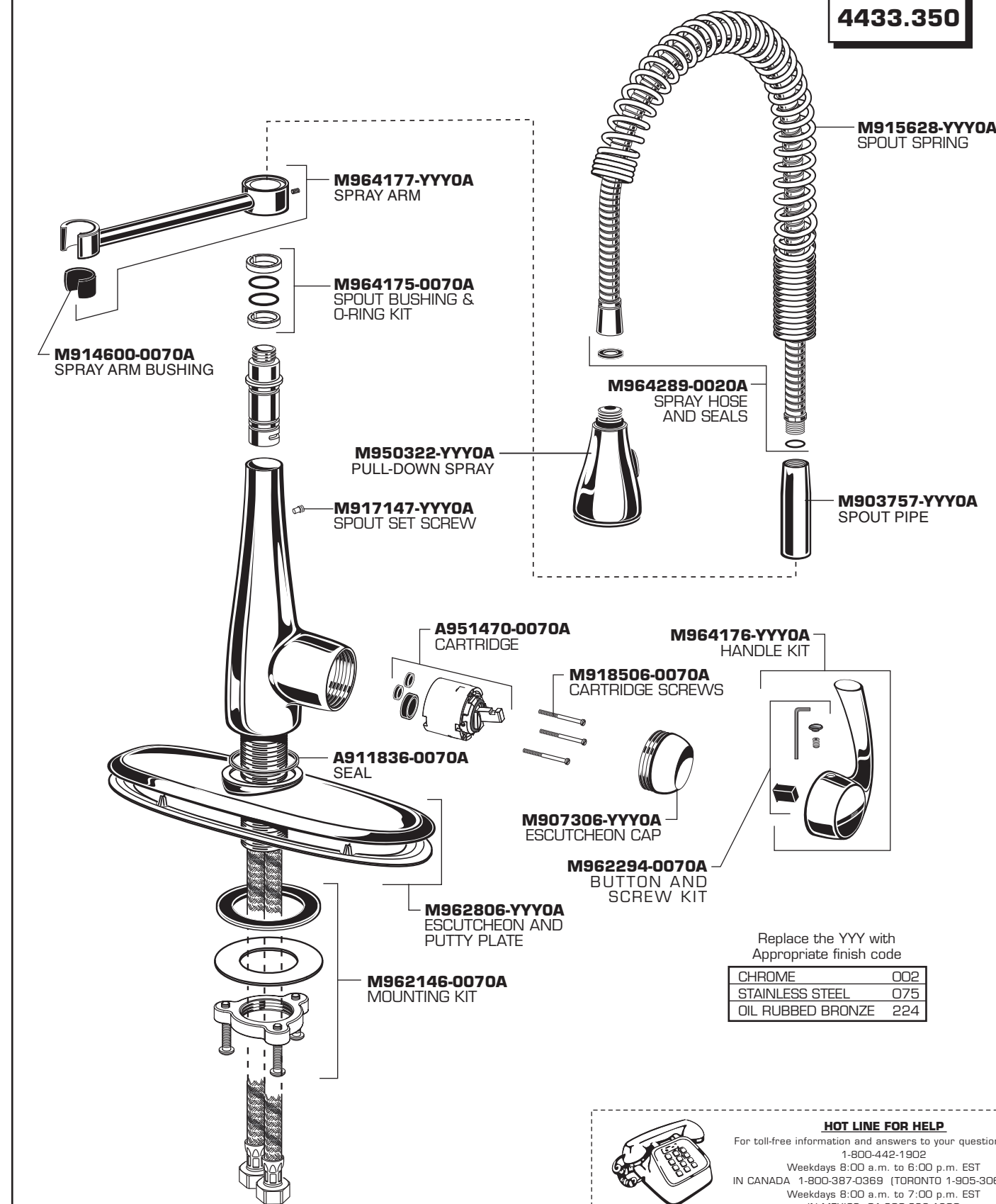
DO NOT: DO NOT CLEAN THE PRODUCT WITH SOAPS, ACID, POLISH, ABRASIVES, HARSH CLEANERS, OR A CLOTH WITH A COARSE SURFACE.

M965242 REV. 1.4

American Standard

**QUINCE™
SINGLE LEVER
SEMI-PROFESSIONAL
KITCHEN FAUCET**

MODEL NUMBER
4433.350



M965242 REV. 1.4

HOT LINE FOR HELP
For toll-free information and answers to your questions, call:
1-800-442-1902
Weekdays 8:00 a.m. to 8:00 p.m. EST
IN CANADA 1-800-387-0369 (TORONTO 1-905-306-1093)
Weekdays 8:00 a.m. to 7:00 p.m. EST
IN MEXICO 01-800-839-1200

Product names listed herein are trademarks of American Standard Inc.
© AS America, Inc. 2012

M965242 REV. 1.4