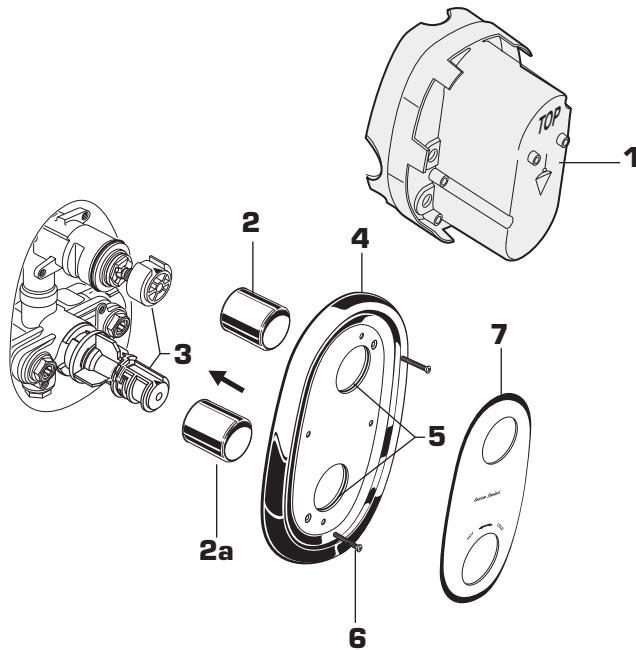




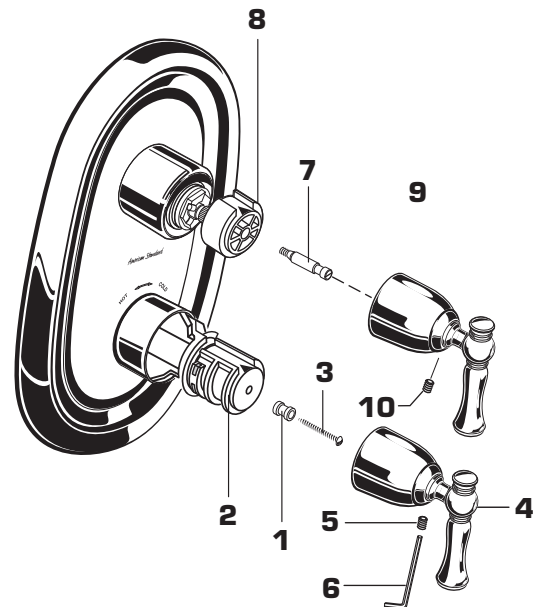
# 1 TRIM INSTALLATION

- Remove PLASTER GUARD **(1)** if attached.
- Push CAPS **(2 & 2a)** as shown onto CONTROL VALVES **(3)**.
- Push ESCUTCHEON **(4)** with lightly greased O-RING SEALS **(5)** over CAPS **(2, 2a)**. Attach with the two SCREWS **(6)** provided.
- Align pins in back of DIAL PLATE **(7)** with holes in ESCUTCHEON **(4)** and push DIAL PLATE **(7)** into place.



# 2 INSTALL HANDLES

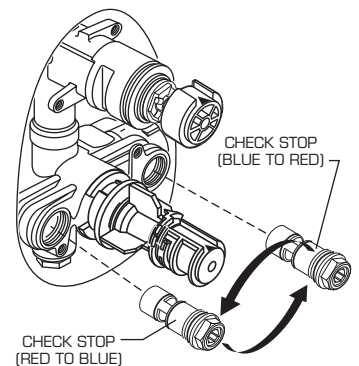
- Install HANDLE ADAPTER **(1)** onto HANDLE BASE **(2)** and tighten with SCREW **(3)**.
- Align HANDLE **(4)** and push onto HANDLE ADAPTER **(1)**.
- Tighten SET SCREW **(5)** in handle with HEX WRENCH **(6)** SUPPLIED.
- Install HANDLE ADAPTER **(7)** onto KNOB MOUNT **(8)**.
- Push VOLUME CONTROL KNOB **(9)** onto HANDLE ADAPTER **(7)**. Use HEX WRENCH **(6)** supplied and tighten SET SCREW **(10)** to secure VOLUME CONTROL KNOB **(9)**.



# 3 TRANSPOSED SUPPLY PIPING OR BACK TO BACK INSTALLATION

*Should the hot and cold water supply pipes have been transposed making adjustment impossible, proceed as follows:*

- Shut off water supply.
  - Remove handle and rim. (Reverse steps 1 and 2.)
  - Remove check stops and re-install them transposed.
- Important note: RED CHECK STOP is now on the right of the mixer body and the BLUE CHECK STOP is now on the left.
- Turn the water supply back on and perform the temperature adjustment in step 4.
- Assemble HANDLES and TRIM.

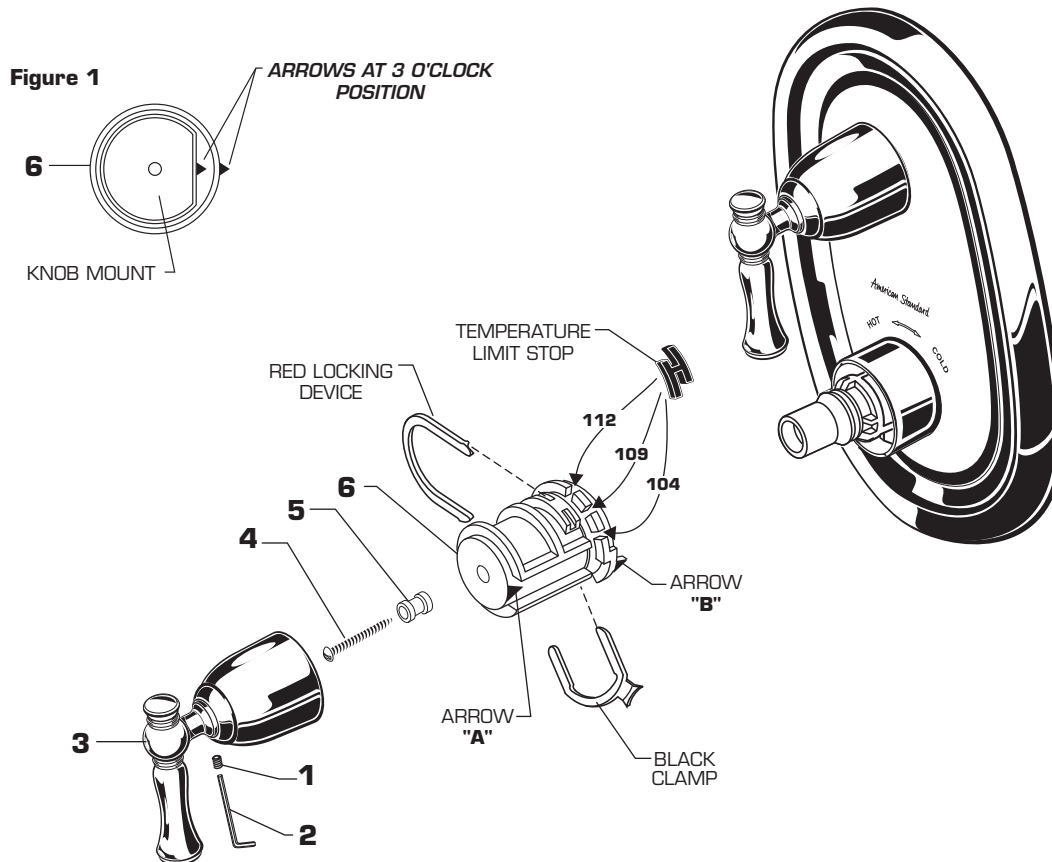


## 4 TEMPERATURE ADJUSTMENT

- Loosen SET SCREW (1) with HEX WRENCH (2). Pull off HANDLE (3). Remove HANDLE SCREW (4) and HANDLE ADAPTER (5). Pull off HANDLE BASE (6).
- Check that arrow marking B points to the 3 o'clock position. If not, push the BLACK CLAMP on the SECURING RING to the right, pull off KNOB MOUNT (6) and reinstall KNOB MOUNT (6) with arrow "B" 3 o'clock position. *See Figure 1.*

### SET HOT LIMIT STOP

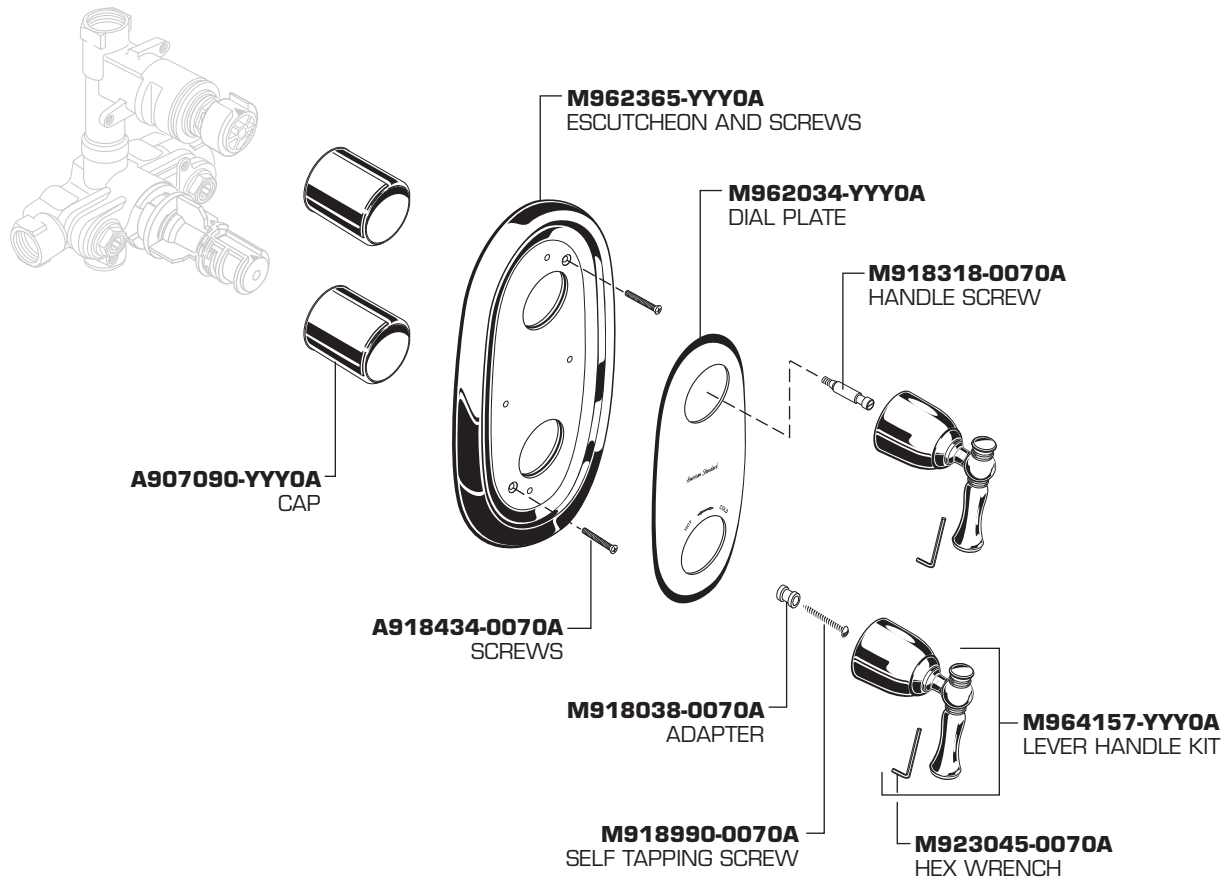
- The maximum mixed water temperature is set at 109°F at the factory. This setting can be changed if desired.
- Remove the TEMPERATURE LIMIT STOP (H shaped Black Plastic part). Reinstall it at the desired notch as indicated in the diagram to limit the maximum mixed water temperature to 104°F or 112°F.
- For 100°F adjustment, turn the water supply on. Turn KNOB MOUNT (6) until the spout temperature is 100°F. Check that arrow "A" on the KNOB MOUNT (6) still points 3 o'clock position after adjusting the thermostat to 100°F. If not, pull out the RED LOCKING DEVICE. Remove KNOB MOUNT (6) by pulling it towards you while standing directly in front of the valve.
- Reinstall the KNOB MOUNT (6) with arrow "A" 3 o'clock position.
- Reinstall RED LOCKING DEVICE.
- See step 2 for HANDLE (3) installation.



**QUENTIN™**  
**CENTRAL THERMOSTAT**  
**WITH VOLUME CONTROL**  
**TRIM KIT**

MODEL NUMBER

**T440.740**



Replace the "YYY" with appropriate finish code

CHROME	002
OIL RUBBED BRONZE	224
SATIN NICKEL	295



**HOT LINE FOR HELP**

For toll-free information and answers to your questions, call:  
 1-800-442-1902  
 Weekdays 8:00 a.m. to 6:00 p.m. EST  
 IN CANADA 1-800-387-0369 (TORONTO 1-905-306-1093)  
 Weekdays 8:00 a.m. to 7:00 p.m. EST  
 IN MEXICO 01-800-839-1200