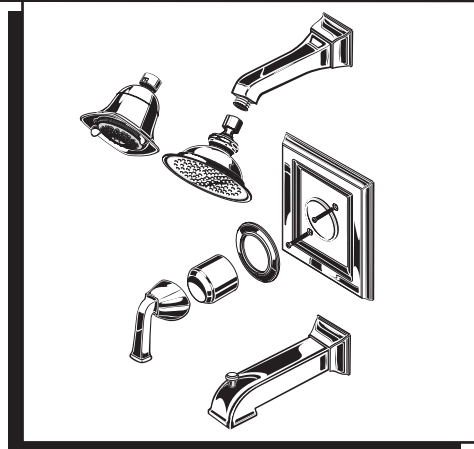


American Standard

Installation Instructions

TOWNSQUARE PRESSURE BALANCING BATH AND SHOWER TRIM KIT

T555.52X



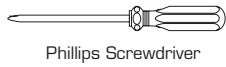
Certified to comply with ANSI A112.18.1

Thank you for selecting American Standard...the benchmark of fine quality for over 100 years.

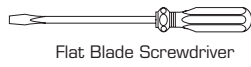
To ensure that your installation proceeds smoothly—please read these instructions carefully before you begin.

M965112 REV.1.1

Recommended Tools



Phillips Screwdriver



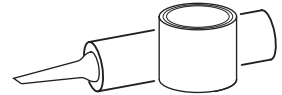
Flat Blade Screwdriver



Adjustable Wrench



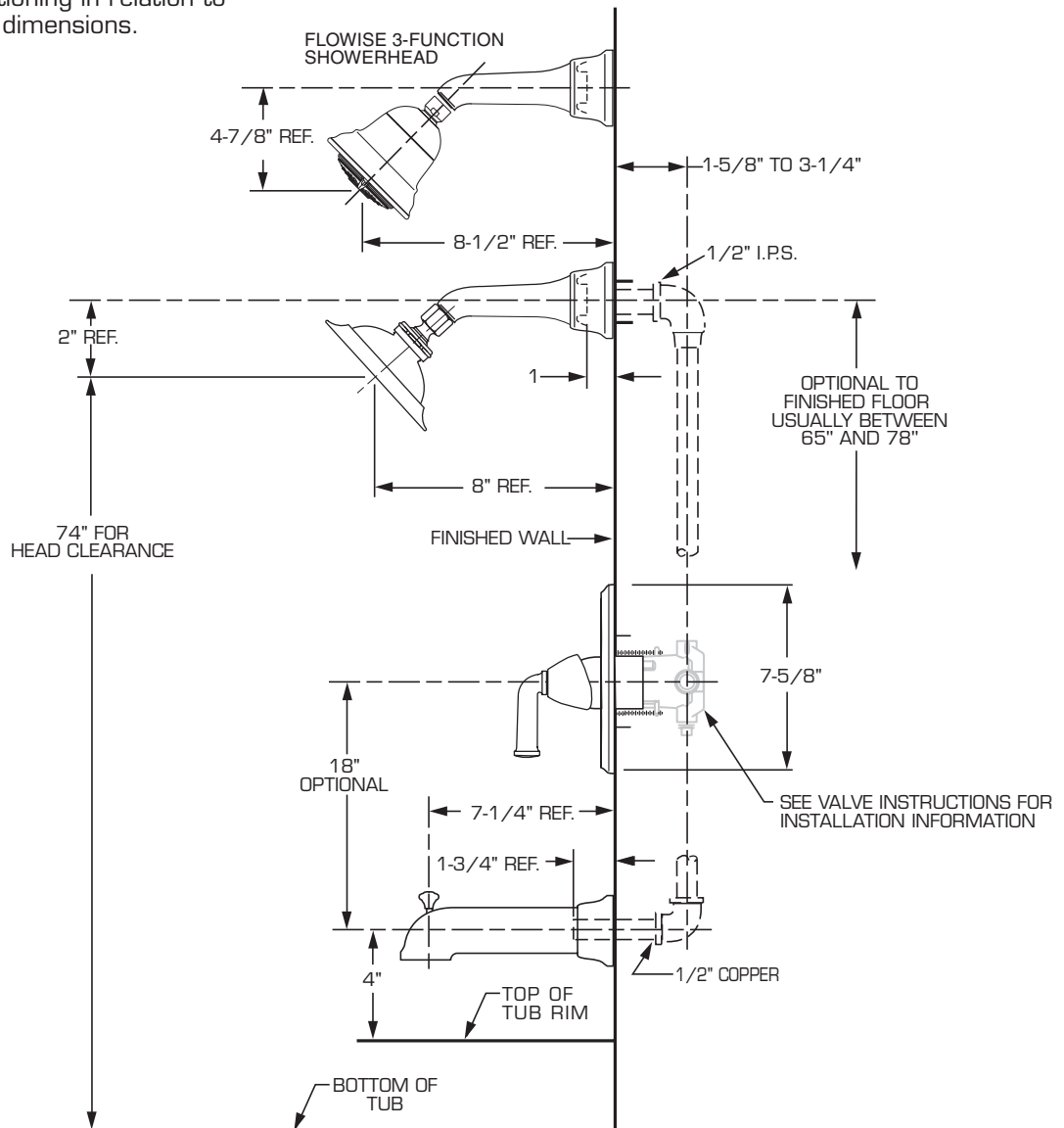
Channel Locks



Plumbers' Putty or Caulking

ROUGHING-IN DIMENSIONS

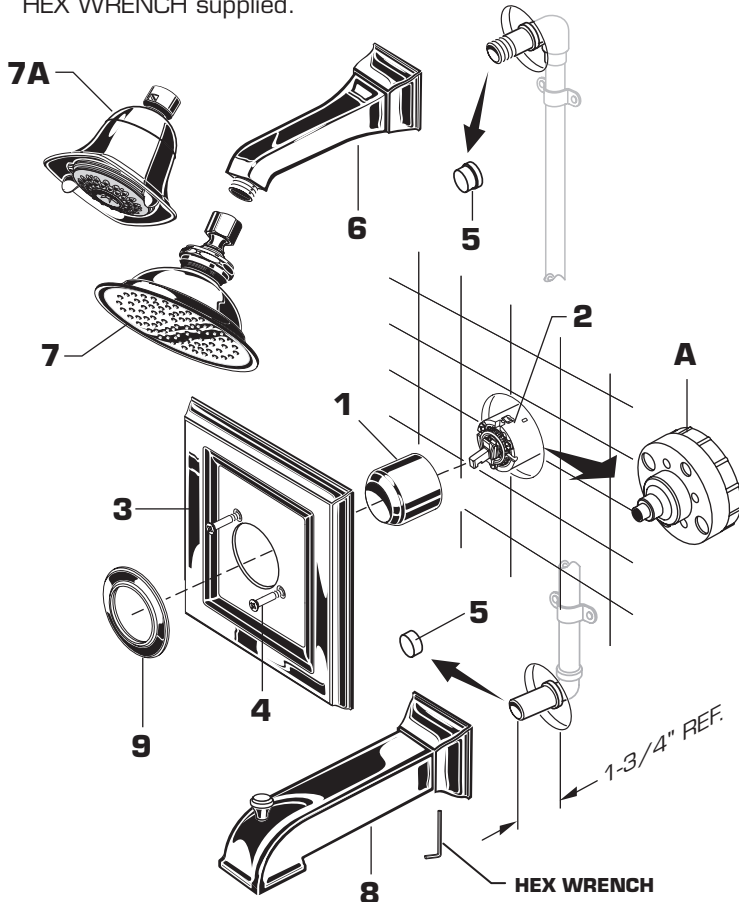
- To assure proper positioning in relation to wall, note roughing-in dimensions.



1 INSTALL TRIM

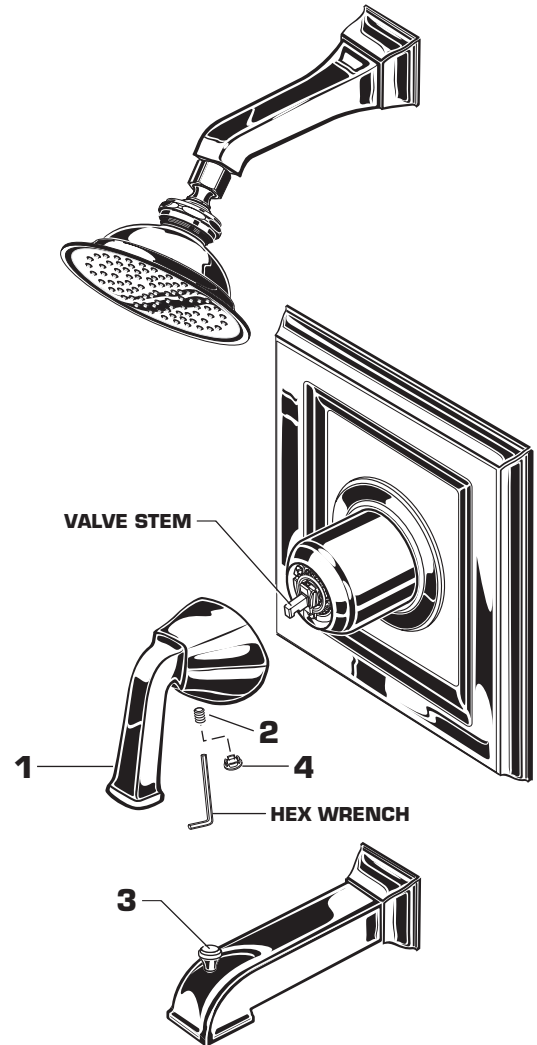
CAUTION: Protect finish on SHOWER ARM, SHOWER HEAD and TUB SPOUT when installing.

- When finished tiling the wall, remove PLASTER GUARD (A) and turn off water supply.
- Push CAP (1) over VALVE CARTRIDGE (2).
- Mount ESCUTCHEON (3) to valve body with SCREWS (4).
- Push DECORATIVE SCREW COVER (9) (optional) onto CAP (1) flush against ESCUTCHEON (3).
- Remove PIPE CAPS (5) from shower pipe and tub filler pipe.
- Install SHOWER ARM (6), SHOWER HEAD (7 or 7A) by threading onto pipe nipple using teflon tape or pipe sealant.
- Install SLIP-ON TUB SPOUT (8). Tighten with HEX WRENCH supplied.



3 INSTALL HANDLE and TEST FITTING

- Align and install HANDLE (1) onto valve stem. Tighten SET SCREW (2) using 2.5mm Hex Wrench supplied. Push in index (4).
- Check proper operation of HANDLE (1).
- Turn on water supply on and test installed fitting. Operate valve and DIVERTER SPOUT (3).

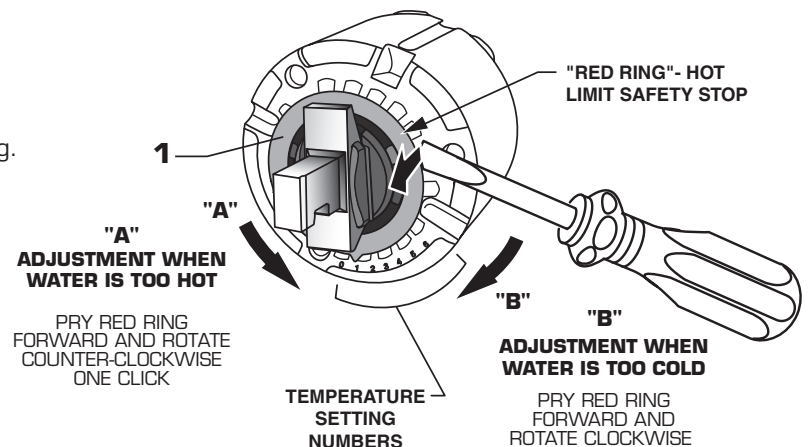


2 ADJUST HOT LIMIT STOP

HOT LIMIT SAFETY STOP ADJUSTMENT

By restricting handle rotation and limiting the amount of hot water allowed to mix with the cold, the HOT LIMIT SAFETY STOP reduces risk of accidental scalding. To set the maximum hot water temperature of your faucets, all you need to do is adjust the setting on the HOT LIMIT SAFETY STOP.

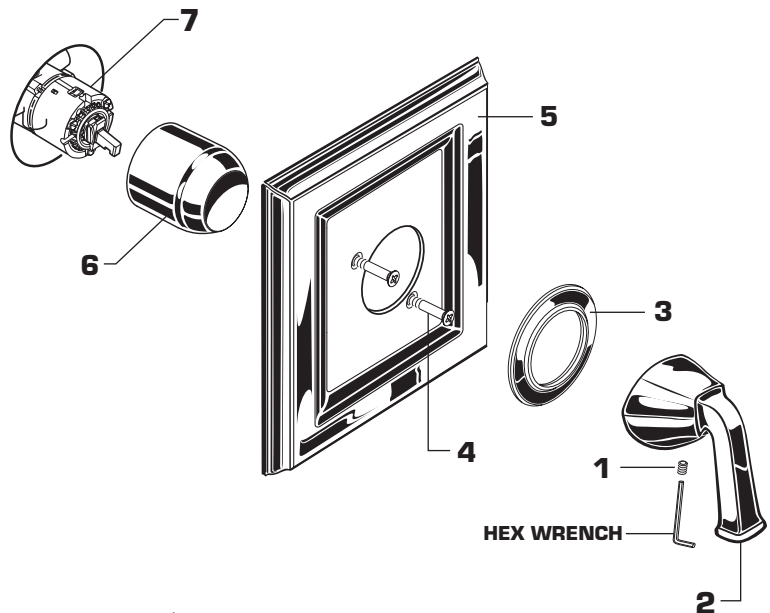
- Use a flat blade screwdriver or your fingers to pull up and rotate red HOT LIMIT SAFETY STOP (1). Follow Step "A" or "B" to adjust min./max. discharge temperature. "O" being the hottest to "7" the coldest temperature setting. Factory set at "0".



4 SERVICE

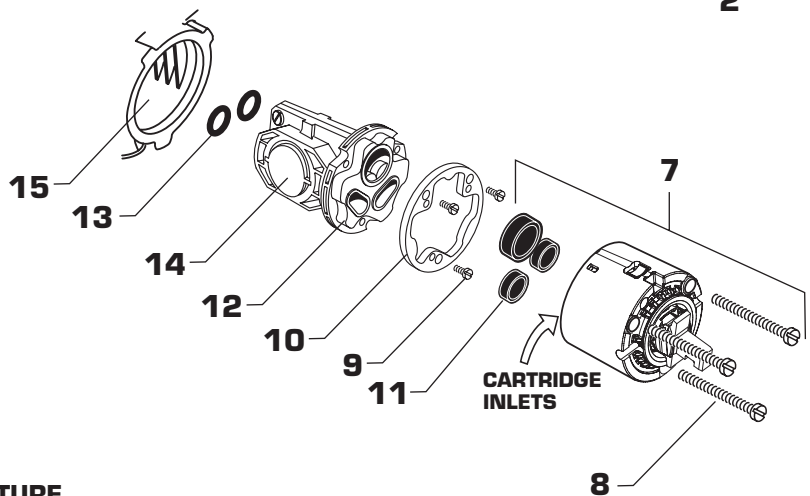
TO GAIN ACCESS TO VALVE FOR SERVICING

- Turn off hot and cold water supplies.
- Loosen HANDLE SET SCREW (1) and pull of HANDLE (2).
- Pull off DECORATIVE SCREW COVER (3).
- Remove two SCREWS (4) holding ESCUTCHEON (5) and remove ESCUTCHEON (5).
- Remove CAP (6).



VALVE LEAKS WHEN SHUT OFF

- Remove CARTRIDGE (7) by removing CARTRIDGE SCREWS (8). Remove three SCREWS (9) from FIXATION RING (10) and pull out PRESSURE BALANCING (16) unit.
- Clean SEALS (11) on base of CARTRIDGE (7). Check base of PRESSURE BALANCING UNIT (12) and clean O-RINGS (13). Remove CAPS (14) and check O-RINGS on inside of CAPS (14) for debris. Clean inside sealing surfaces of VALVE BODY (15). Re-assemble PRESSURE BALANCING UNIT (12) and CARTRIDGE (7). Tighten all screws.



UNABLE TO MAINTAIN CONSTANT TEMPERATURE

- Remove PRESSURE BALANCE UNIT (12).
- Remove CAPS (14) and clean valve thoroughly.
- Examine balancing unit and check condition of O-ring on end of piston. Piston should move back and forth. Order Repair Part **M952100-0070A** if balancing unit is defective.
- Replace CAPS (14) and install PRESSURE BALANCE UNIT (12). Make sure inlets line up with two holes in bottom of casting. Top flange should butt-up against top of casting.

5 CARE INSTRUCTIONS:

DO: SIMPLY RINSE THE PRODUCT CLEAN WITH CLEAR WATER. DRY WITH A SOFT COTTON FLANNEL CLOTH.

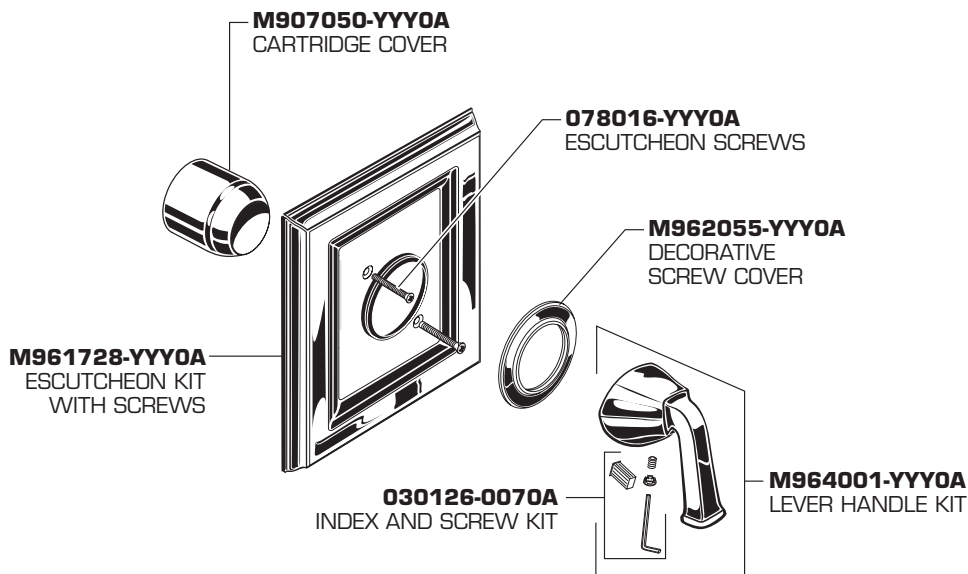
DO NOT: DO NOT CLEAN THE PRODUCT WITH SOAPS, ACID, POLISH, ABRASIVES, HARSH CLEANERS, OR A CLOTH WITH A COARSE SURFACE.

American Standard

**TOWNSQUARE
BATH/SHOWER
TRIM KIT**

MODEL NUMBER

T555.52X



Replace the "YYY" with
appropriate finish code

CHROME	002
SATIN NICKEL	295
OIL RUBBED BRONZE	224

HOT LINE FOR HELP

For toll-free information and answers to your questions, call:
1-800-442-1902
Weekdays 8:00 a.m. to 6:00 p.m. EST
IN CANADA 1-800-387-0369 (TORONTO 1-905-306-1093)
Weekdays 8:00 a.m. to 7:00 p.m. EST
IN MEXICO 01-800-839-1200



Product names listed herein are trademarks of American Standard Inc.
© AS America, Inc. 2011

M965112 REV.1.1