

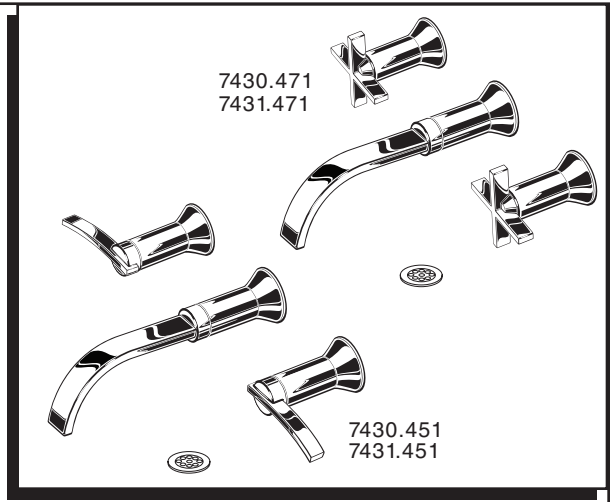
American Standard

Installation Instructions

BERWICK™ / BOULEVARD™ 7430.451
WALL MOUNT FAUCET 7430.471
IN-WALL LAVATORY FITTING 7431.451
7431.471

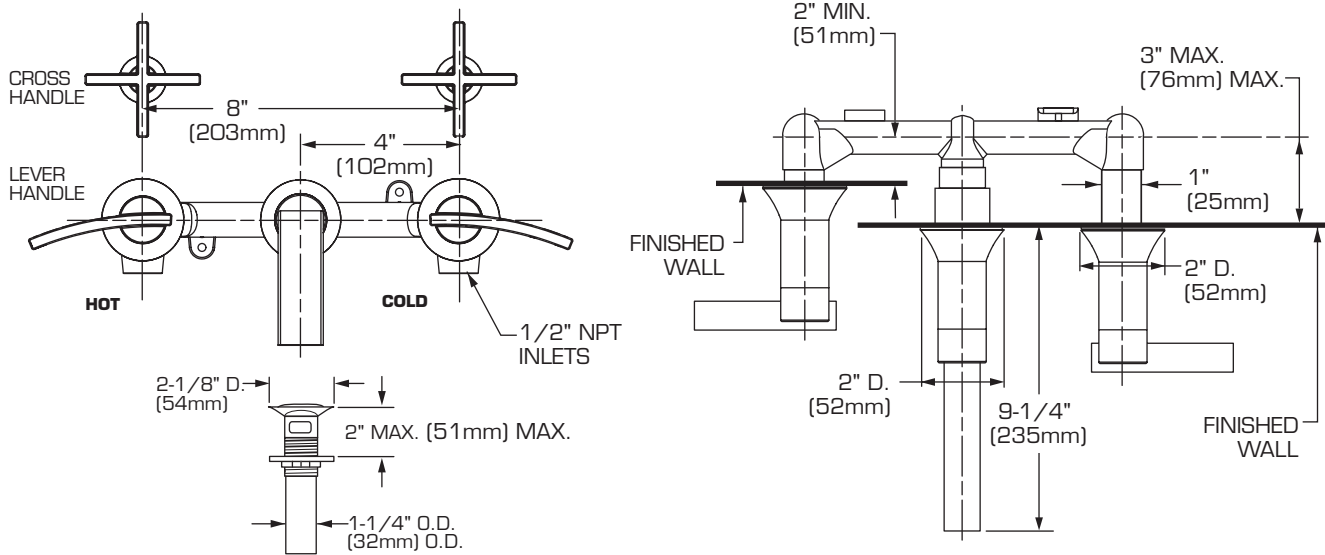
Thank you for selecting American-Standard...
 the benchmark of fine quality for over 100 years.

To ensure that your installation proceeds smoothly—
 please read these instructions carefully before you begin.

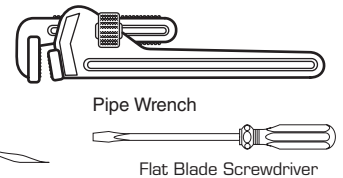
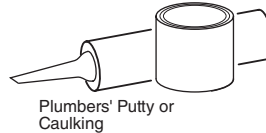
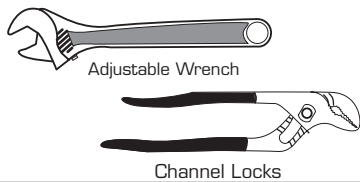
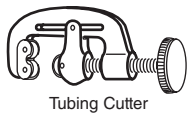


Certified to comply with ASME A112.18.1M
 M968643 REV.1.2

ROUGHING-IN DIMENSIONS

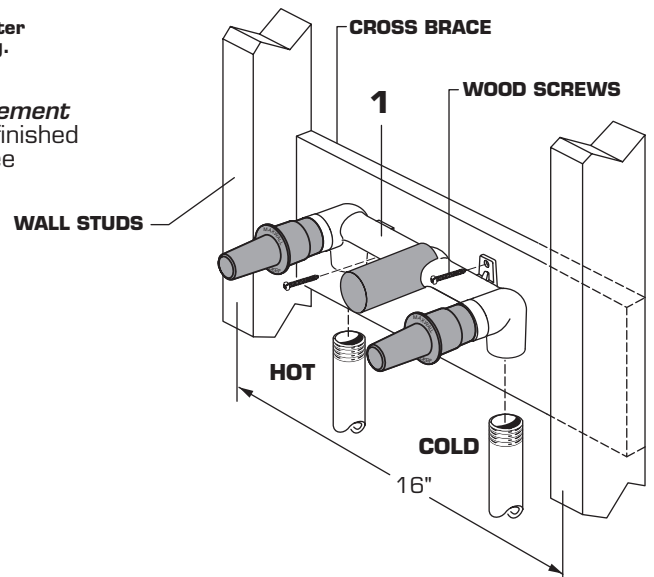


Recommended Tools



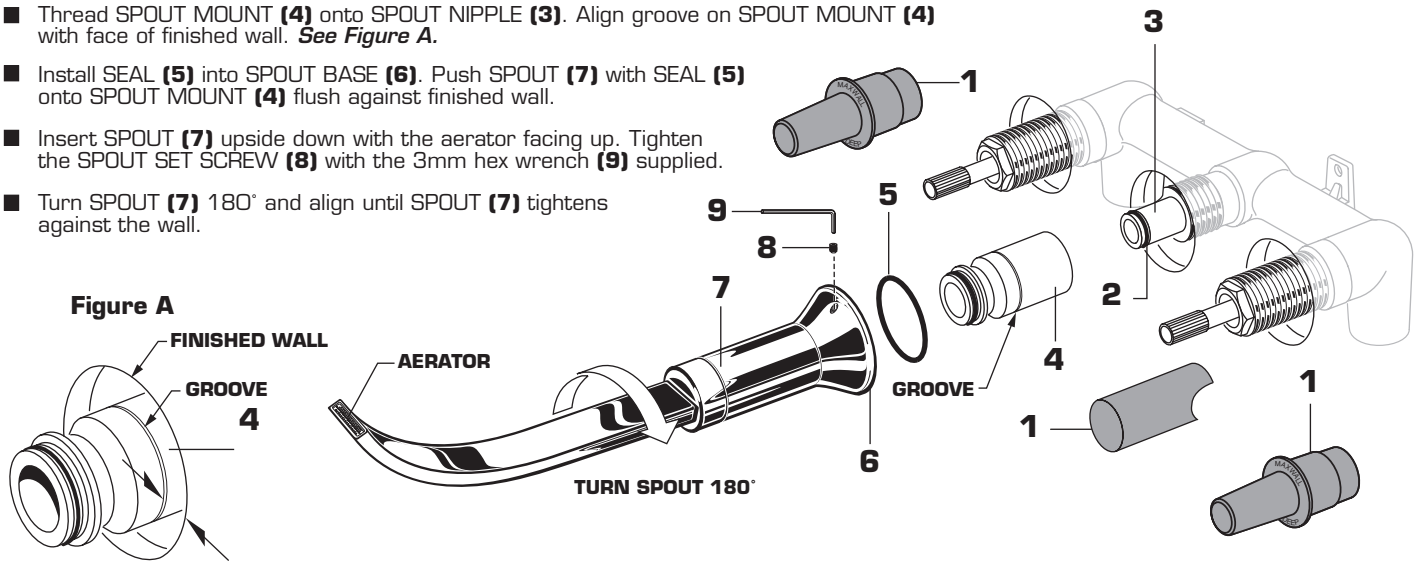
1 INSTALL VALVE BODY **CAUTION** Turn off hot and cold water supplies before beginning.

- Determine where the finished wall location will be. **This measurement is very important!** Note: The rough-in measurement from the finished wall is; 2" minimum and 3" maximum. This is a 1" tolerance. See rough-in illustration above.
- Secure FAUCET BODY (1) to cross brace of wall structure at required height using two wood screws.
- Connect HOT water supply to left VALVE inlet and COLD water supply to right VALVE inlet. Use pipe sealant or Teflon tape for all threaded connections. For sweat connections, do not make sweat connections directly to valve body. Damage to seals and valve cartridge may occur.
- Turn valves to off position. Turn hot and cold supplies on and check fitting connections for leaks .
- Complete wall construction.



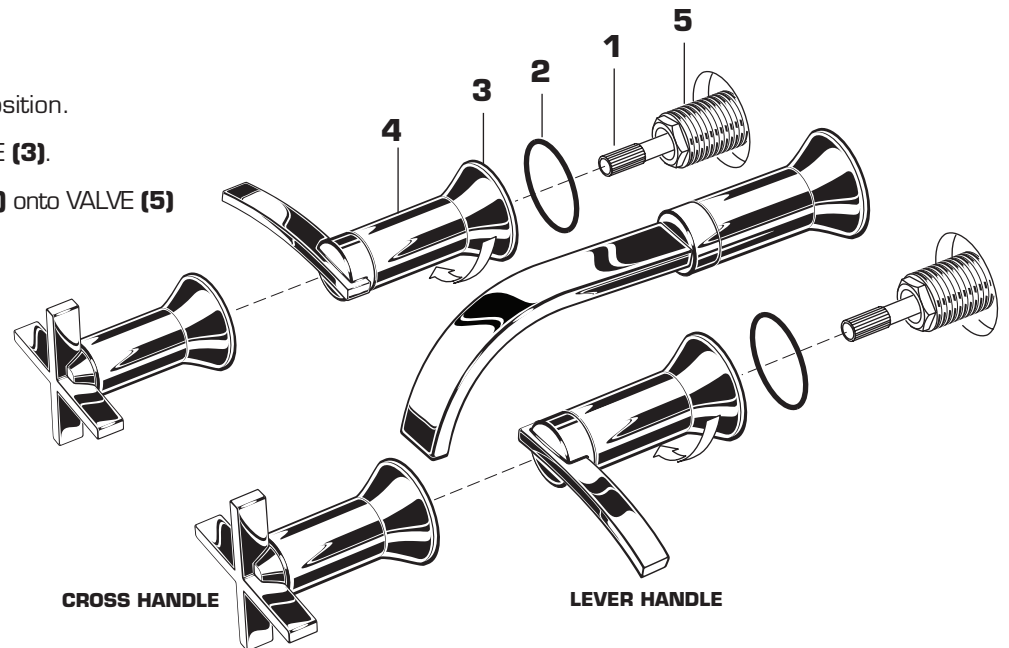
2 INSTALL WALL SPOUT

- Remove PLASTER GUARDS (1) from valve bodies and SPOUT NIPPLE (3).
- Inspect that SPOUT NIPPLE O-RING (2) is seated in groove of SPOUT NIPPLE (3).
- Thread SPOUT MOUNT (4) onto SPOUT NIPPLE (3). Align groove on SPOUT MOUNT (4) with face of finished wall. *See Figure A.*
- Install SEAL (5) into SPOUT BASE (6). Push SPOUT (7) with SEAL (5) onto SPOUT MOUNT (4) flush against finished wall.
- Insert SPOUT (7) upside down with the aerator facing up. Tighten the SPOUT SET SCREW (8) with the 3mm hex wrench (9) supplied.
- Turn SPOUT (7) 180° and align until SPOUT (7) tightens against the wall.



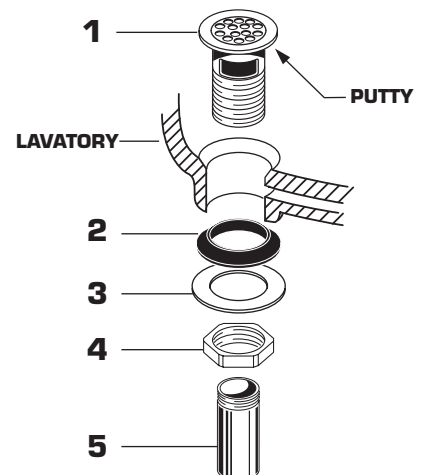
3 INSTALL HANDLES

- Turn VALVE STEMS (1) to off position.
- Place SEAL (2) into HANDLE BASE (3).
- Thread HANDLE ESCUTCHEON (4) onto VALVE (5) until snug against finished wall.



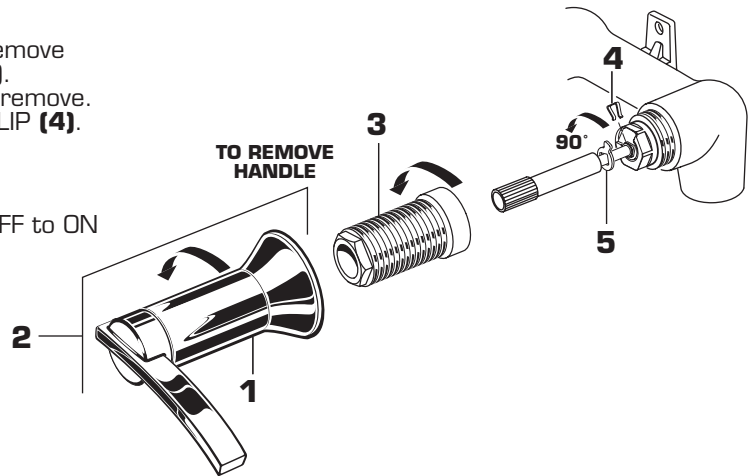
4 DRAIN INSTALLATION

- Apply a bead of PUTTY to underside of FLANGE on DRAIN BODY (1).
- Feed DRAIN BODY (1) down through lavatory.
- Assembly GASKET (2) WASHER (3) and LOCKNUT (4) onto DRAIN BODY (1). Tighten LOCKNUT (4) firmly.
- Assembly TAILPIECE (5) to DRAIN BODY (1).



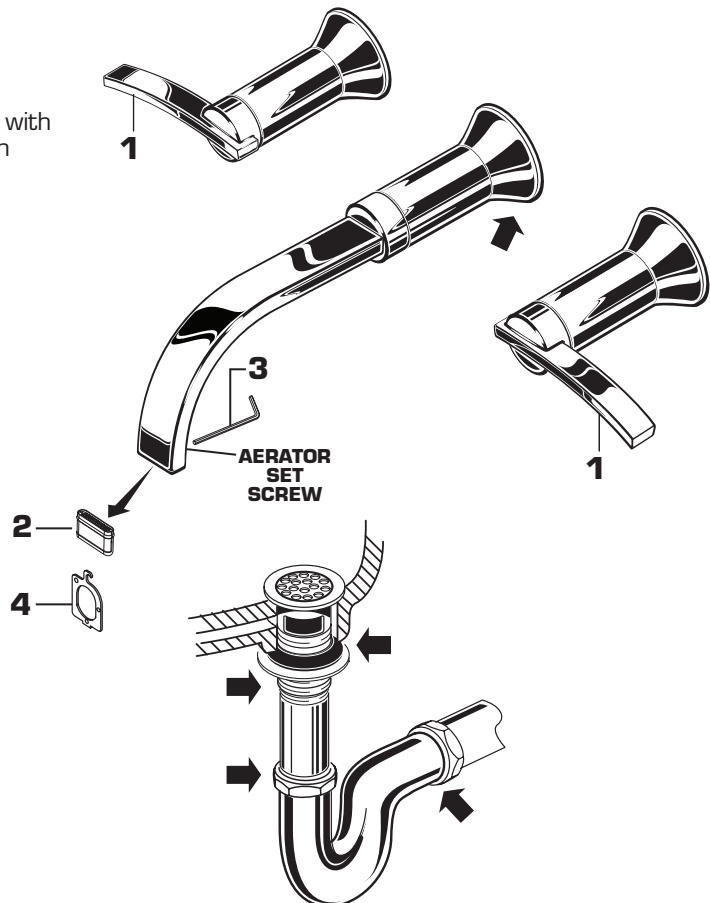
5 SERVICE

- To change direction of handle rotation, proceed as follows:
 - Turn valve to OFF position.
 - Thread counter-clock wise HANDLE BASE (1) to remove HANDLE ASSEMBLY (2) from VALVE HOUSING (3).
 - Thread counter-clock wise VALVE HOUSING (3) to remove.
 - Use a flat blade screw driver to remove SPRING CLIP (4).
 - Lift STOP WASHER (5), turn 90° and replace.
 - Replace SPRING CLIP (4).
 - Reinstall all parts and HANDLE ASSEMBLY (2).
- If spout drips, operate handles several times from OFF to ON position. Do not force - handles turn only 90°.



6 TEST INSTALLED FAUCET

- With HANDLES (1) in OFF position, turn on water supplies and check all connections for leaks. ➔
- Remove AERATOR (2). First loosen aerator set screw with HEX WRENCH (3) supplied. Pull out AERATOR (2) with AERATOR KEY (4).
- Operate both HANDLES (1) to flush water lines thoroughly.
- Replace AERATOR (3) and tighten set screw.
- Check all drain connections for leaks.



7 CARE INSTRUCTIONS:

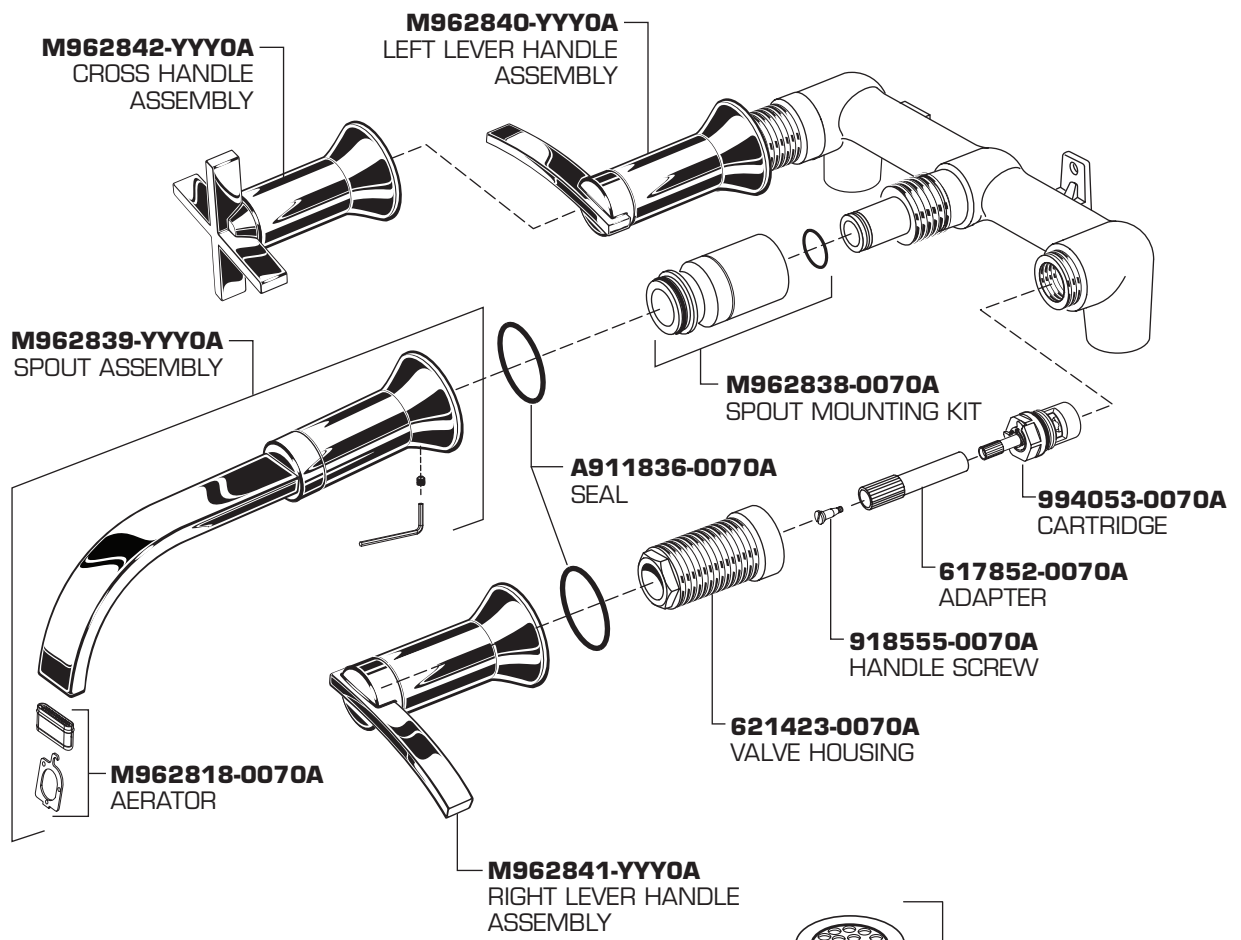
- DO: SIMPLY RINSE THE PRODUCT CLEAN WITH CLEAR WATER. DRY WITH A SOFT COTTON FLANNEL CLOTH.**
- DO NOT: DO NOT CLEAN THE PRODUCT WITH SOAPS, ACID, POLISH, ABRASIVES, HARSH CLEANERS, OR A CLOTH WITH A COARSE SURFACE.**

American Standard

**BERWICK™ / BOULEVARD™
WALL MOUNT
LAVATORY FAUCET**

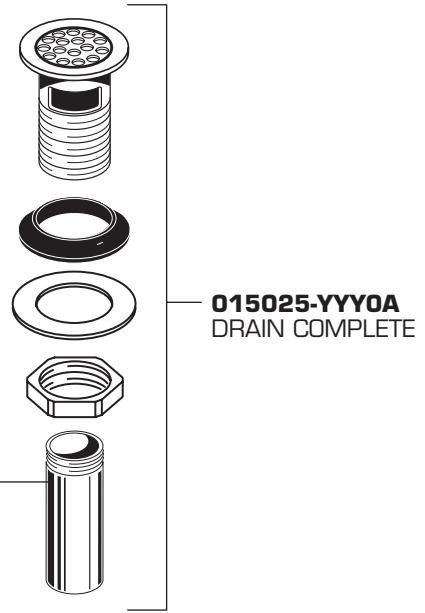
MODEL NUMBER

**7430.451 / 7431.451
7430.471 / 7431.471**



Replace the "YYY" with appropriate finish code

CHROME	002
SATIN NICKEL	295



HOT LINE FOR HELP
For toll-free information and answers to your questions, call:
1 (800) 442-1902
Weekdays 8:00 a.m. to 6:00 p.m. EST

IN CANADA 1-800-387-0369 (TORONTO 1-905-306-1093)
Weekdays 8:00 a.m. to 7:00 p.m. EST

IN MEXICO 01-800-839-1200

Product names listed herein are trademarks of American Standard Inc.
© AS America, Inc. 2009