

American Standard

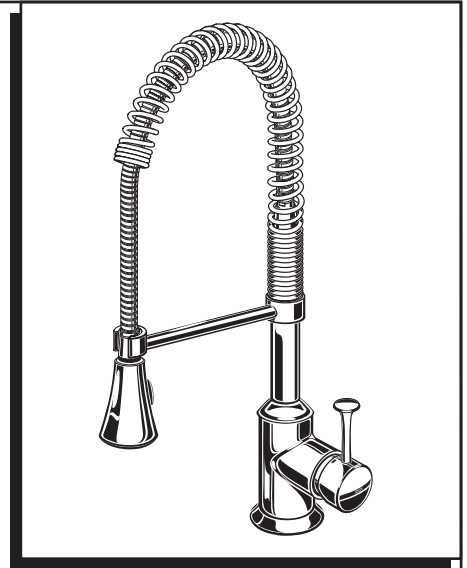
Installation Instructions

PEKOE Single Lever Semi-Professional Kitchen Faucet

4332.350
4332.358

Thank you for selecting American-Standard...the benchmark of fine quality for over 100 years.

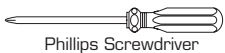
To ensure that your installation proceeds smoothly—please read these instructions carefully before you begin.



Certified to comply with ANSI A112.18.1M

M968577 Rev.1.5

Recommended Tools



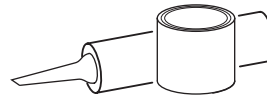
Phillips Screwdriver



Channel Locks



Adjustable Wrench



Plumbers' Putty or Caulking

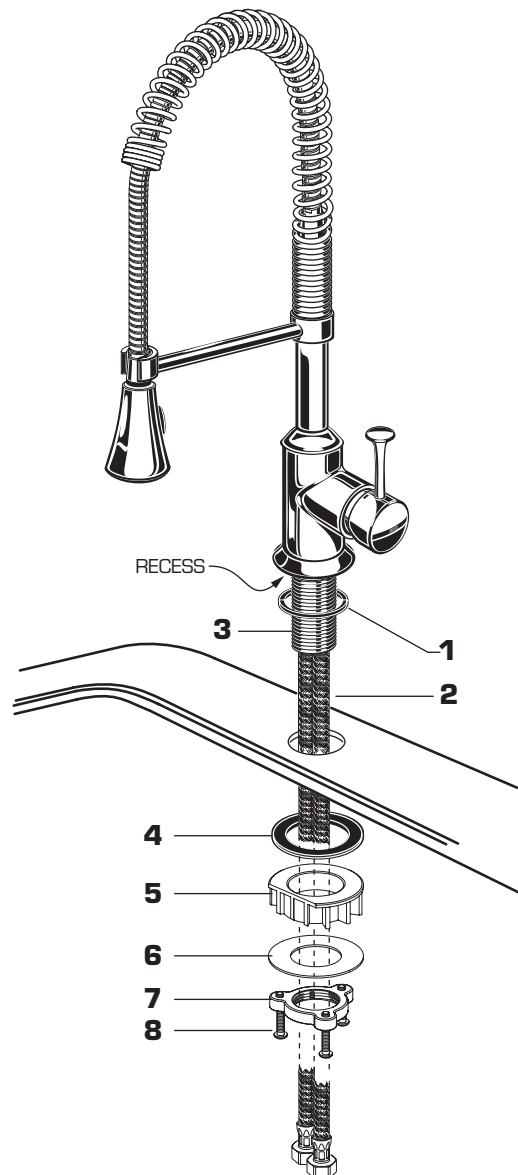


Tubing Cutter

1 INSTALL FITTING

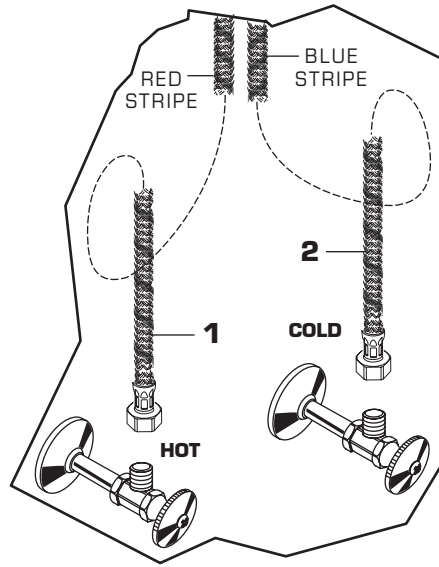
CAUTION Turn off hot and cold water supplies before beginning.

- Make certain the SEAL (1) is properly seated in recess of faucet body.
- Insert supply HOSES (2) and SHANK (3) through center hole of sink or mounting surface.
- Assemble RUBBER WASHER (4), PLASTIC WASHER (5), METAL WASHER (6) and threaded LOCKNUT (7) onto SHANK (3) from underside of sink or mounting surface. Hand tighten LOCKNUT (7) and check that faucet is centered.
- Use a screwdriver to tighten SCREWS (8) on LOCKNUT (7). Work your way around LOCKNUT (7), tightening the screws slightly each time until all are snug to ensure even pressure.



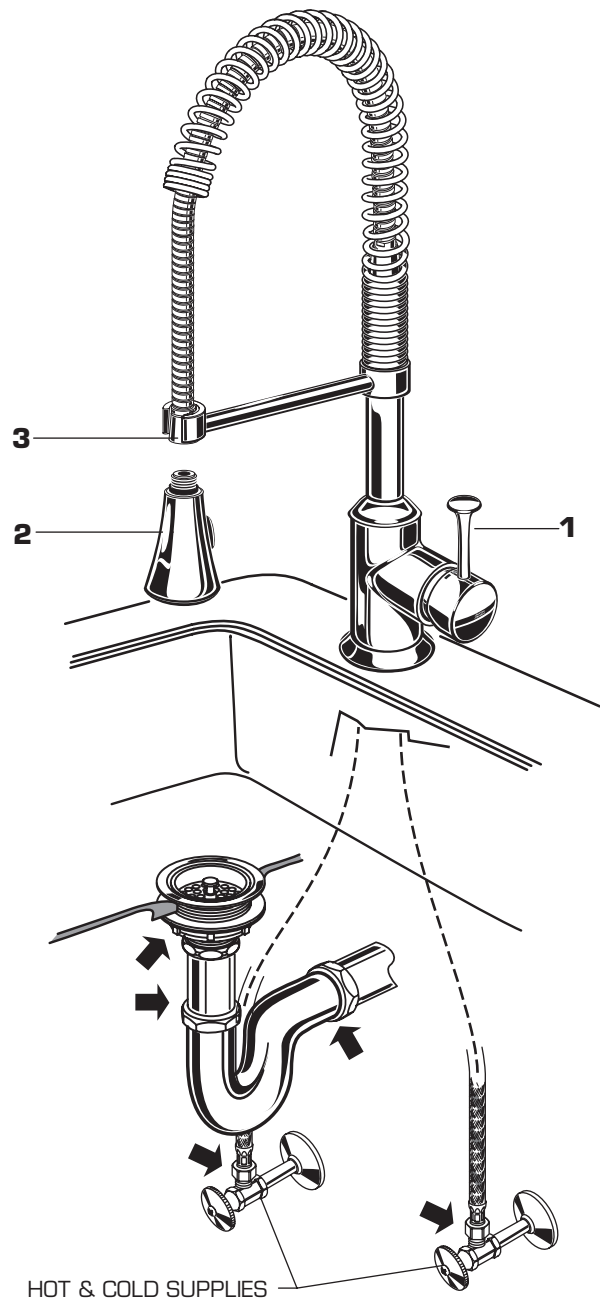
2 MAKE WATER SUPPLY CONNECTIONS

- Turn off hot and cold water supplies before beginning.
- Connect FLEXIBLE SUPPLIES **(1, 2)** directly to wall supplies. Connection on fitting supplies are 3/8" compression. Connect left supply (Marked with a Red Stripe) to Hot and right supply (Marked with Blue Stripe) to Cold wall supply. Use adjustable wrench to tighten connections. Do not over tighten.
- Faucet supplies are 27-1/2" long from faucet base.
- **Note:** If additional supply length is required, installer must purchase additional parts separately.
- **Important:** If SUPPLY HOSES **(1, 2)** are too long, loop as illustrated to avoid kinking.



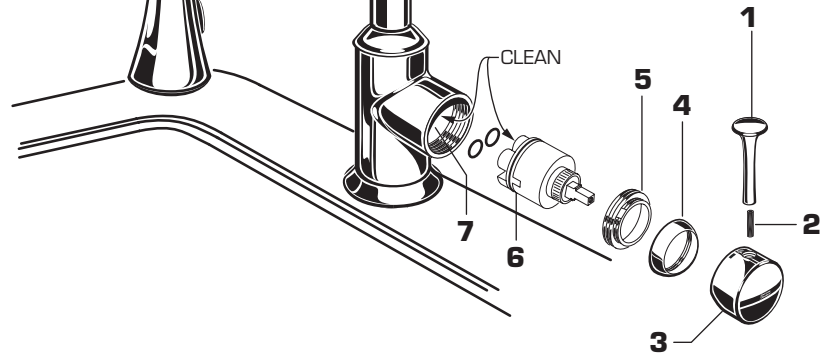
3 TEST INSTALLED FAUCET

- Move HANDLE **(1)** into "off" position.
- Unthread SPRAY END **(2)** from HOSE END **(3)**.
- Turn on water supplies and check connections for leaks. ➡
- Operate HANDLE **(1)** on and off, hot and cold to flush water lines thoroughly. Replace SPRAY END **(2)**.
- Check all drain connections for leaks. ➡
- Move HANDLE **(1)** to "off" position.



4 SERVICE

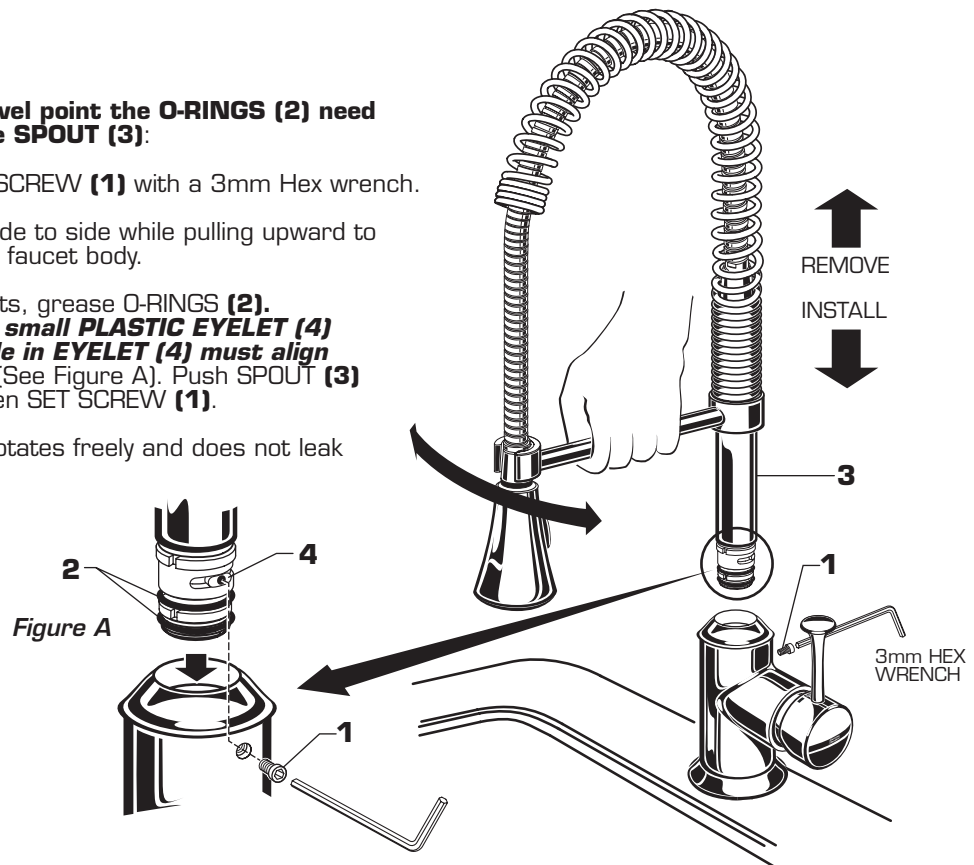
- **Clogged CARTRIDGE outlets or inlets may cause reduced flow.** To clean, first turn off water supply then:
 - Loosen and remove LEVER HANDLE (1). Loosen HANDLE SCREW (2) with 2.5mm Hex Wrench and then pull HANDLE BASE (3) off.
 - Unscrew ESCUTCHEON CAP (4). Unscrew the CARTRIDGE NUT (5).
 - Remove CARTRIDGE (6). Clean inlets of CARTRIDGE (6) and MANIFOLD (7).
 - Reassemble CARTRIDGE (6). Replace CARTRIDGE NUT (5), CAP (4) and HANDLE assembly, check flow.



5 SERVICE

If SPOUT (3) leaks at swivel point the O-RINGS (2) need to be replaced. To remove SPOUT (3):

- Loosen the SPOUT SET SCREW (1) with a 3mm Hex wrench.
- Rotate the SPOUT (3) side to side while pulling upward to remove SPOUT (3) from faucet body.
- Replace all defective parts, grease O-RINGS (2). **Important: Make sure small PLASTIC EYELET (4) is installed. Center hole in EYELET (4) must align with SET SCREW (1).** [See Figure A]. Push SPOUT (3) back into position. Tighten SET SCREW (1).
- Check that SPOUT (3) rotates freely and does not leak at the swivel point.



6 CARE INSTRUCTIONS:

DO: SIMPLY RINSE THE PRODUCT CLEAN WITH CLEAR WATER. DRY WITH A SOFT COTTON FLANNEL CLOTH.

DO NOT: DO NOT CLEAN THE PRODUCT WITH SOAPS, ACID, POLISH, ABRASIVES, HARSH CLEANERS, OR A CLOTH WITH A COARSE SURFACE.

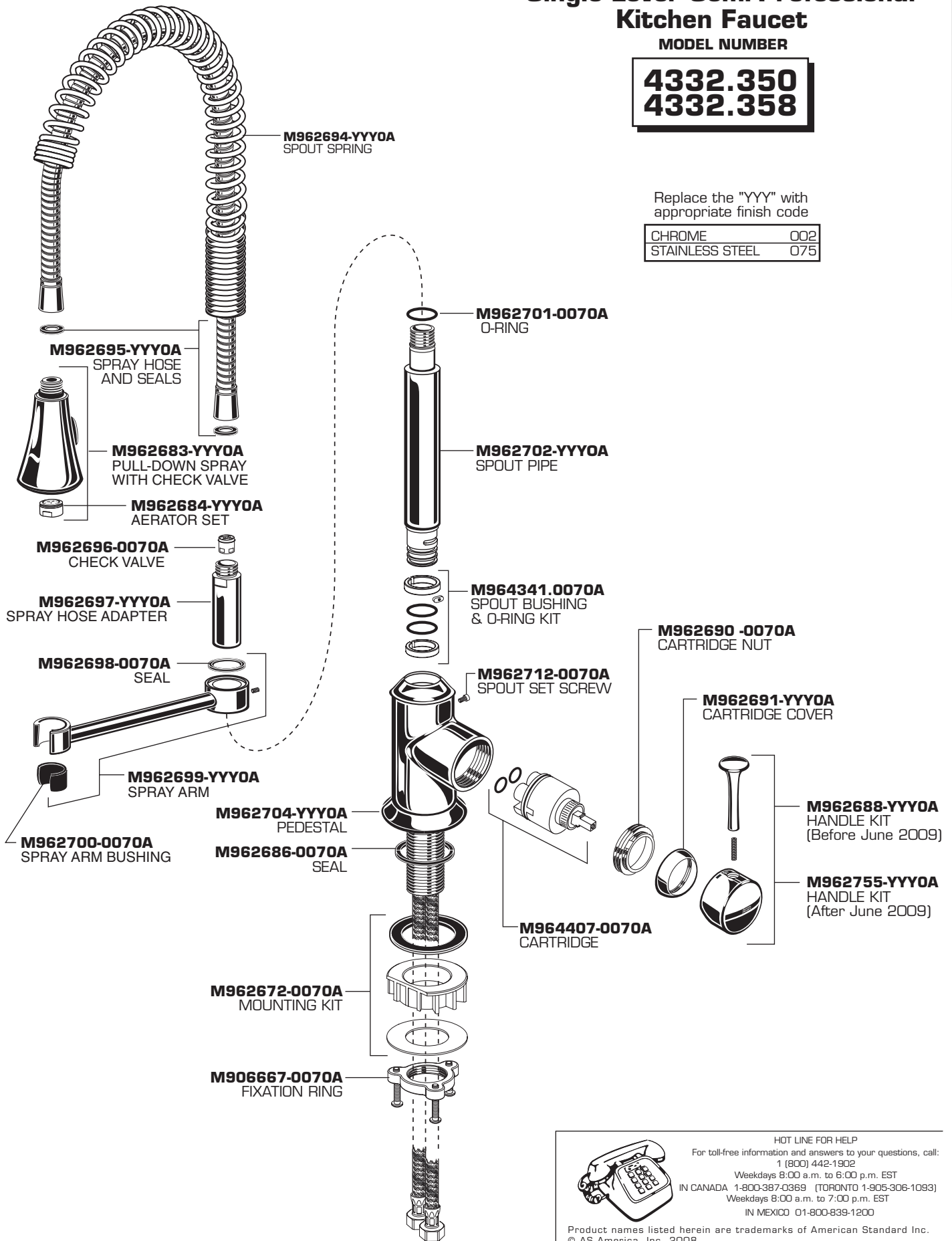
PEKOE
Single Lever Semi-Professional
Kitchen Faucet

MODEL NUMBER

4332.350
4332.358

Replace the "YYY" with appropriate finish code

CHROME	002
STAINLESS STEEL	075



HOT LINE FOR HELP
 For toll-free information and answers to your questions, call:
 1 (800) 442-1902
 Weekdays 8:00 a.m. to 6:00 p.m. EST
 IN CANADA 1-800-387-0369 (TORONTO 1-905-306-1093)
 Weekdays 8:00 a.m. to 7:00 p.m. EST
 IN MEXICO 01-800-839-1200

Product names listed herein are trademarks of American Standard Inc.
 © AS America, Inc. 2008